



Adult Apron

Design & work: Kokka Fabric

Size: Free (full length 98cm)

The craft projects and works featured in kokka-fabric.com are strictly for personal use and enjoyment. Please refrain from selling handmade items using the same exact design (including the pieces made in different fabrics) featured in kokka-fabric.com.

Materials

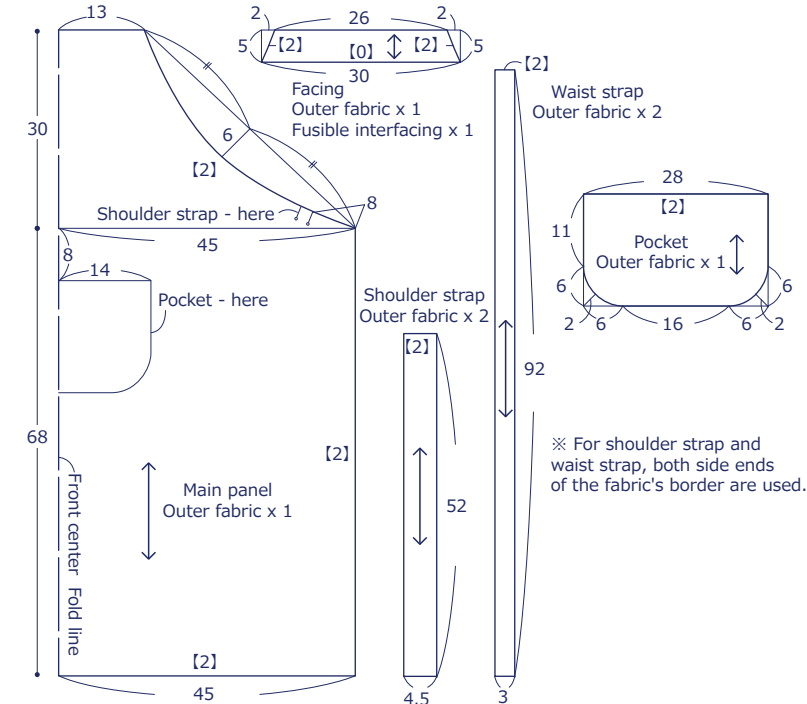
- Fabric: about 110cm wide x 160cm
- Fusible interfacing (light weight): about 90cm wide x 10cm

Fabric shown for this sample: LO-41060-1B

Pattern

Unit: cm. [] : Seam allowance

Add 1m seam allowance unless specified otherwise.

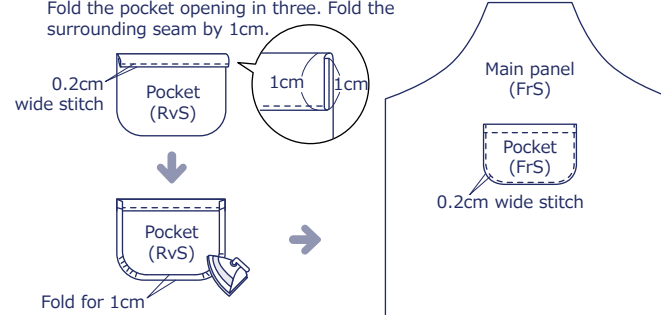


※ Adhere fusible interfacing on the back of the facing.

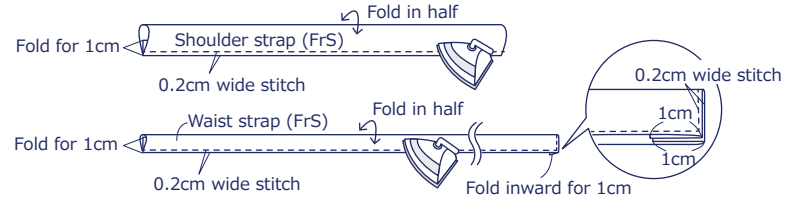
Instructions Front Side - (FrS), Reverse Side (RvS)

1. Make a pocket and attach it to the main panel

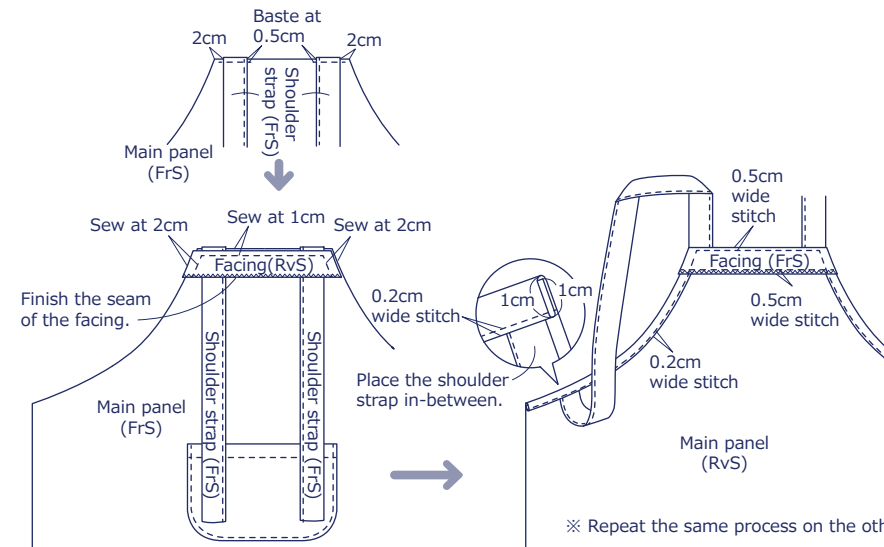
Fold the pocket opening in three. Fold the surrounding seam by 1cm.



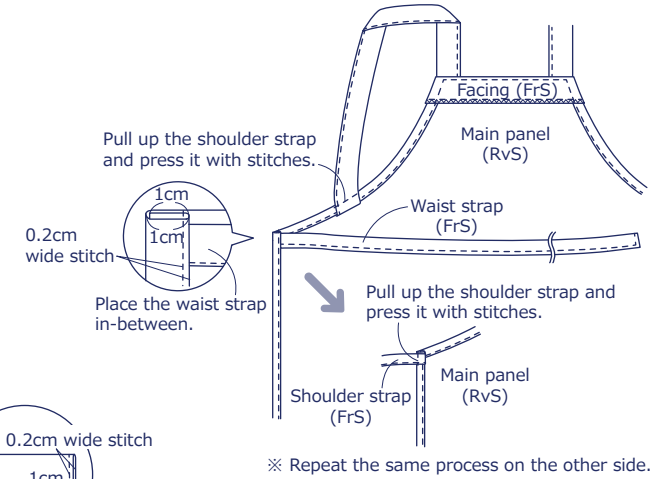
2. Make a shoulder strap and waist strap



3. Baste the shoulder strap to the main panel. Sew together the facing and main panel



4. Fold the sides of the main panel in three and sew



5. Fold the hem in three and sew to finish

