



# Fluffy Bag with Pockets

Design & work: Mioko Sugino

Size: 25cm (l) 24cm (bottom – long end)  
14cm (short end)

## Materials & Tools

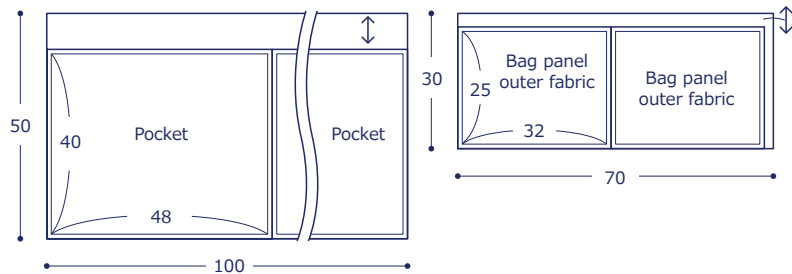
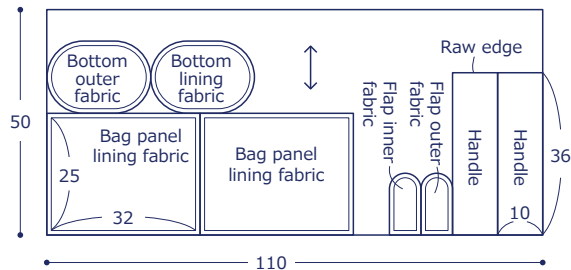
- Fabric (Pocket): 100cm x 50cm  
(Bag body lining fabric, bottom, flap, handle): 110cm x 50cm  
(Bag body outer fabric): 70cm x 30cm
- Fusible interfacing: 10cm x 15cm
- Elastic tape: 68cm (0.7cm wide)
- Magnetic hook (Sew on type): 1 pair (1.8cm diameter)

Fabric shown for this sample:

(Pocket): YKA-61090-1B  
(Bag body lining fabric, bottom, flap, handle): JG-95410-10D  
(Bag body outer fabric): JG-95410-10J

## Pattern

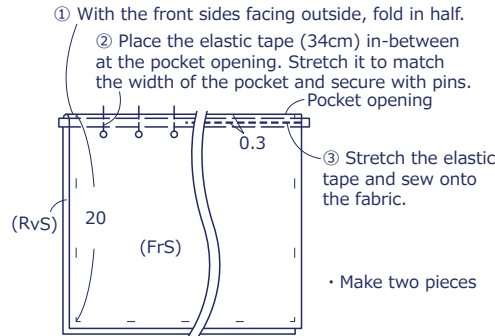
Unit: cm. Add 1m seam allowance unless specified otherwise.



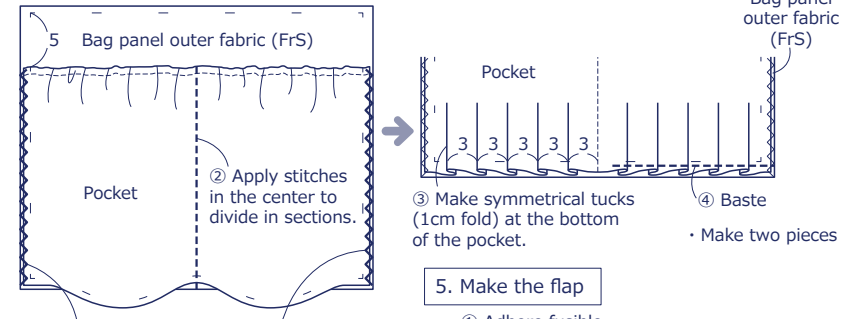
## Instructions

Front Side - (FrS), Reverse Side (RvS)

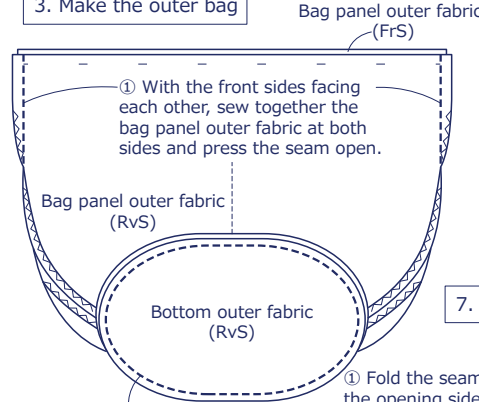
### 1. Make a pocket



### 2. Make the bag panel outer fabric

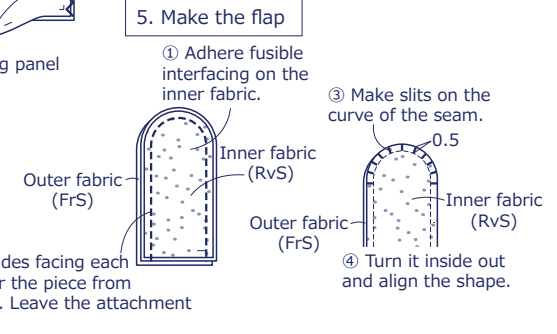


### 3. Make the outer bag

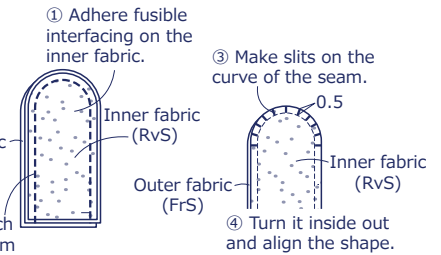


### 4. Make the lining bag

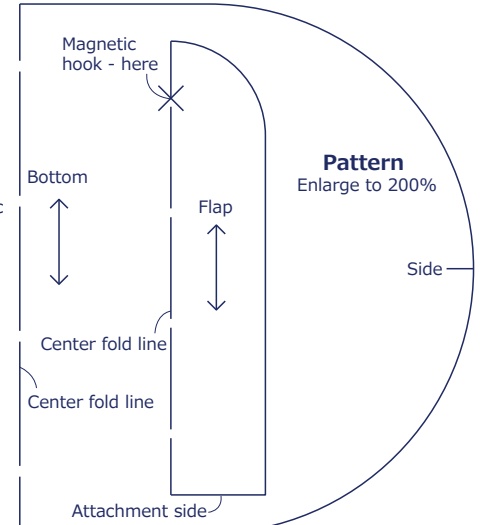
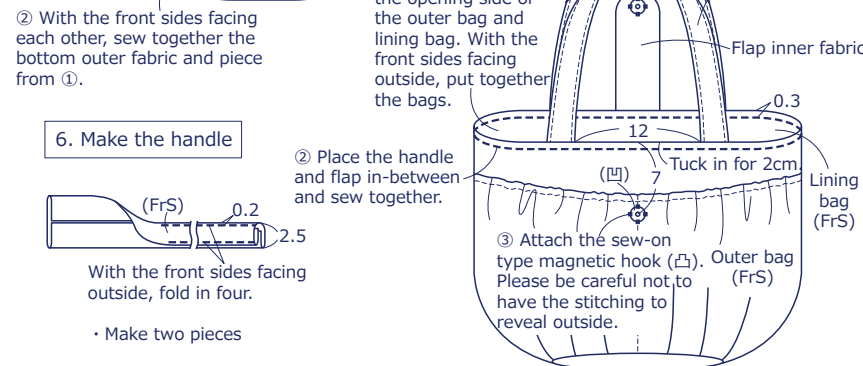
As in ③, sew together the bag panel lining fabric and bottom lining fabric.



### 5. Make the flap



### 7. Finish the bag



Pattern  
Enlarge to 200%