



# Kid's Dress

Design & work: Kokka Fabric

Size: 110cm

have fun with KOKKA fabric! produced by KOKKA

[kokka-fabric.com](http://kokka-fabric.com)

The craft projects and works featured in kokka-fabric.com are strictly for personal use and enjoyment. Please refrain from selling handmade items using the same exact design (including the pieces made in different fabrics) featured in kokka-fabric.com.

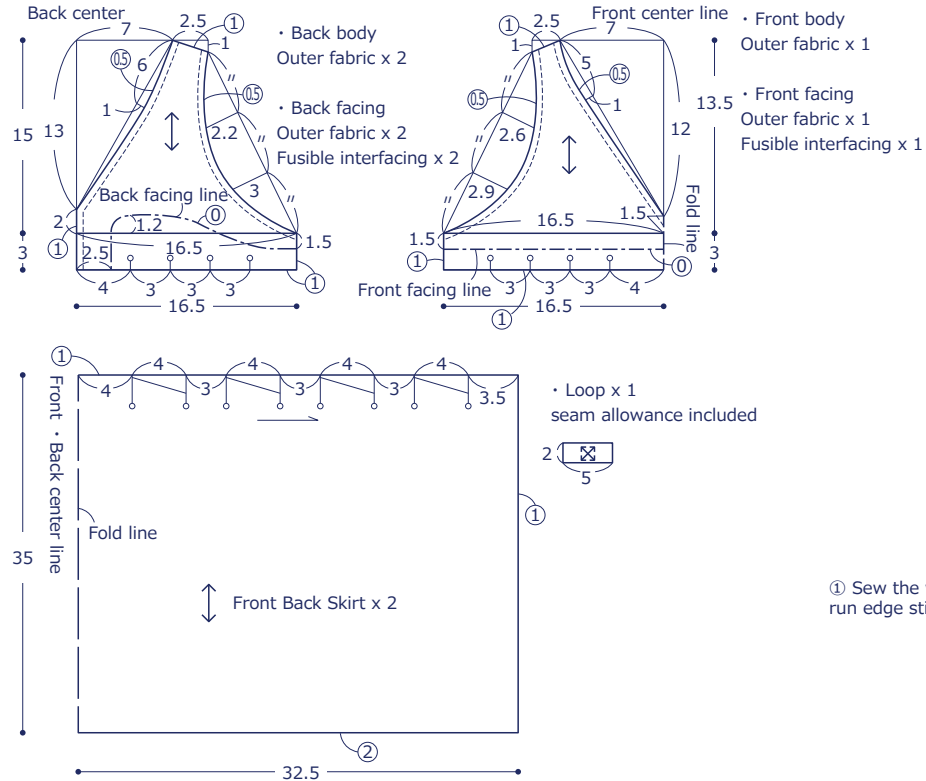
## 材料

- Outer fabric: 100cm wide x 110cm
- Fusible interfacing (light weight): 95cm wide x 25cm
- Button: One piece (1.1cm wide)

Fabric shown for this sample: YK-66000-2B

## Pattern

※ ○ denotes seam allowance. Cut the fabric with seam allowance in ○.



## 作り方

1. Adhere fusible interfacing on the back of the front and back facings. Apply zigzag stitches on the sides of the body, skirt and the hem of the front and back facings.

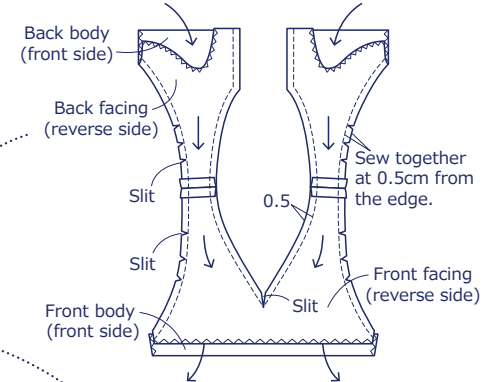
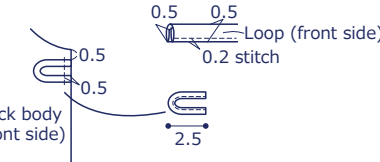
2. Make a loop and baste it to the back body.

3. Sew together the shoulder of the body and the shoulder of the facing. With the front sides facing each other, sew together the neckline and armhole.

7. Run stitches around the armhole at 0.2cm from the edge.

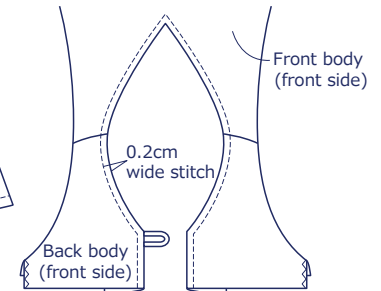
4. Press down the gathering of the front and back skirt. Baste it at 0.5cm from the edge.

5. With the front sides facing each other, sew together the body and skirt. Run stitches on the skirt side.



Pull it out to the direction of the arrow and turn it inside out.

Turn it inside out and iron to shape it. Run top stitches around the neckline at 0.2cm from the edge.



8. Double fold and finish the hem.

6. With the front sides facing each other, sew together the sides of the two pieces.

② Run stitches at the top of the skirt at 0.2cm from the edge.

① Sew the waist and run edge stitches.

