



Big Tote Bag

Design & Work: Ayumi Toda (fabrica uka)

Size: 33.5cm (l) 60cm (w – at opening)
35cm (bottom) 25cm (gusset width)

Materials

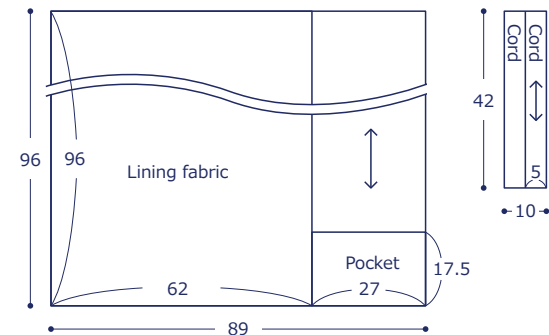
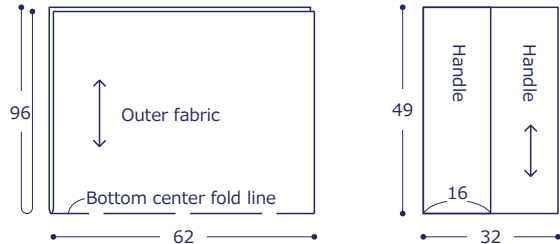
- Fabric (Outer Fabric): 62cm x 96cm
(Lining Fabric · Pocket): 89cm x 96cm
(Handle): 32cm x 49cm
(Cord): 10cm x 42cm
- Magnet button(Insert Type): 1 pair (1.8cm diameter)

Fabric shown for this sample:

- (Outer Fabric) tayouto EKX-5110-4B
- (Lining Fabric · Pocket) tayouto EKX-50810-10B
- (Handle) tayouto EKX-50810-10C
- (Cord) tayouto EKX-50810-10I

Pattern and Cutting Layout

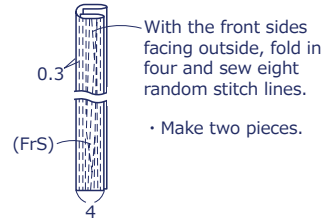
Unit: Centimeters (cm) All raw edge.



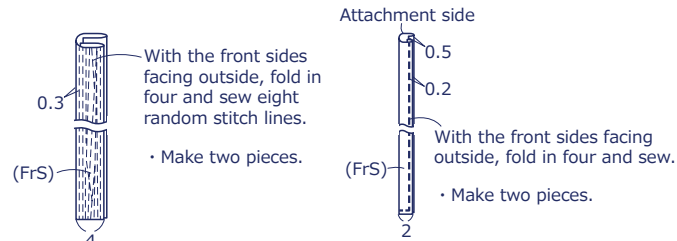
The craft projects and works featured in kokka-fabric.com are strictly for personal use and enjoyment. Please refrain from selling handmade items using the same exact design (including the pieces made in different fabrics) featured in kokka-fabric.com.

Instructions Front Side - (FrS), Reverse Side (RvS)

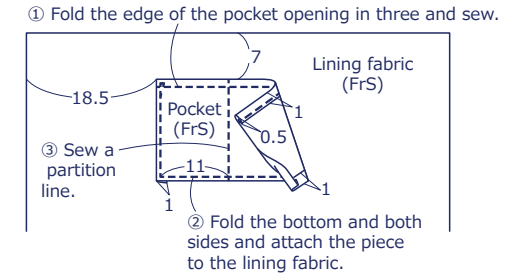
1. Make the handles



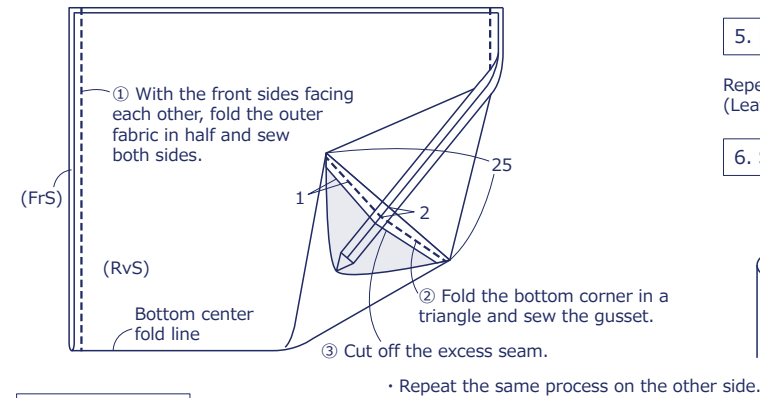
2. Make the cords



3. Make the pocket



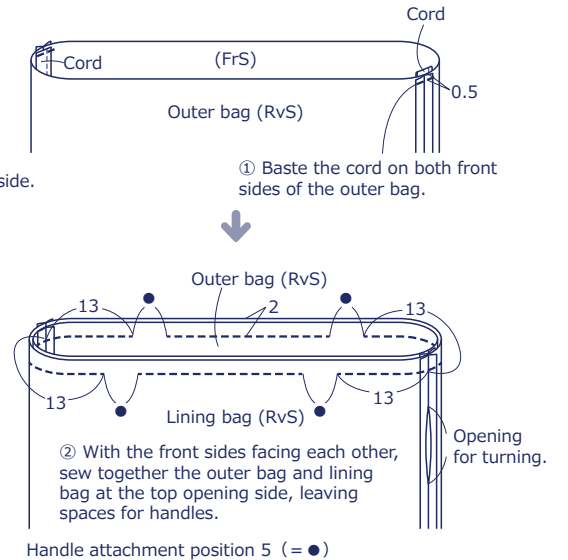
4. Make the outer bag



5. Make the lining bag

Repeat the process as in ④ (Leave an opening for turning on one side for 10cm).

6. Sew together the outer bag and lining bag



7. Finish the bag

