



Backpack

Design & work: rontan

Size: 40cm (l)
50cm (w-bottom) 40cm (top opening) 13cm (d)

Materials

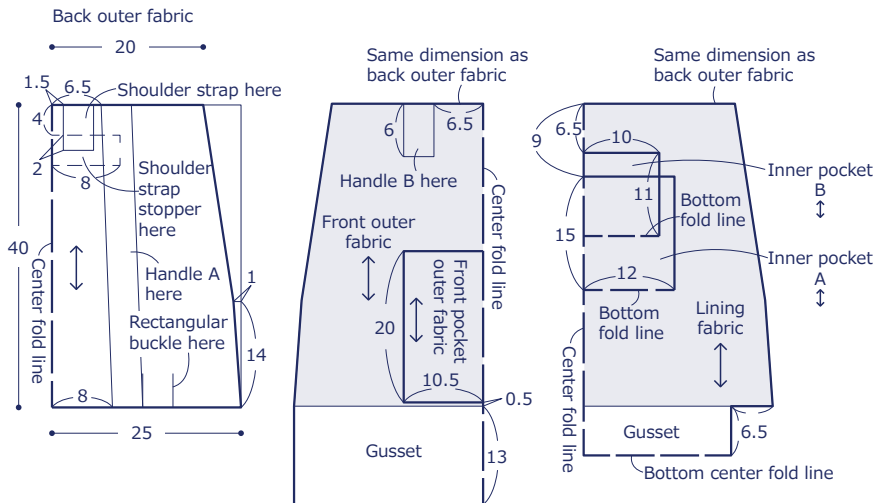
- Fabric (Outer fabric, Front pocket outer fabric, Zipper tab): 110cm wide x 1m (Lining fabric, Front pocket lining fabric, Inner pocket): 85cm x 1m
- Fusible quilt batting: 100cm wide x 60cm
- Fusible interfacing: 80cm x 30cm
- Acrylic tape (Shoulder strap, Shoulder strap stopper, Handle, Rectangle buckle tab): 3.8cm wide x 3.8m
- Leather tape: 0.2cm wide x 15cm
- Lace: 0.7cm wide x 50cm
- Zipper: 50cm long, 20cm long – one piece each
- Slide adjuster, Rectangle buckle: 4cm wide – Two pieces each

Fabric shown for this sample:

(Outer fabric, Front pocket outer fabric, Zipper tab): nico pattern EKX-97059-50A
(Lining fabric, Front pocket lining fabric, Inner pocket): echino solid JG-95410-10H

Pattern

Unit: cm.

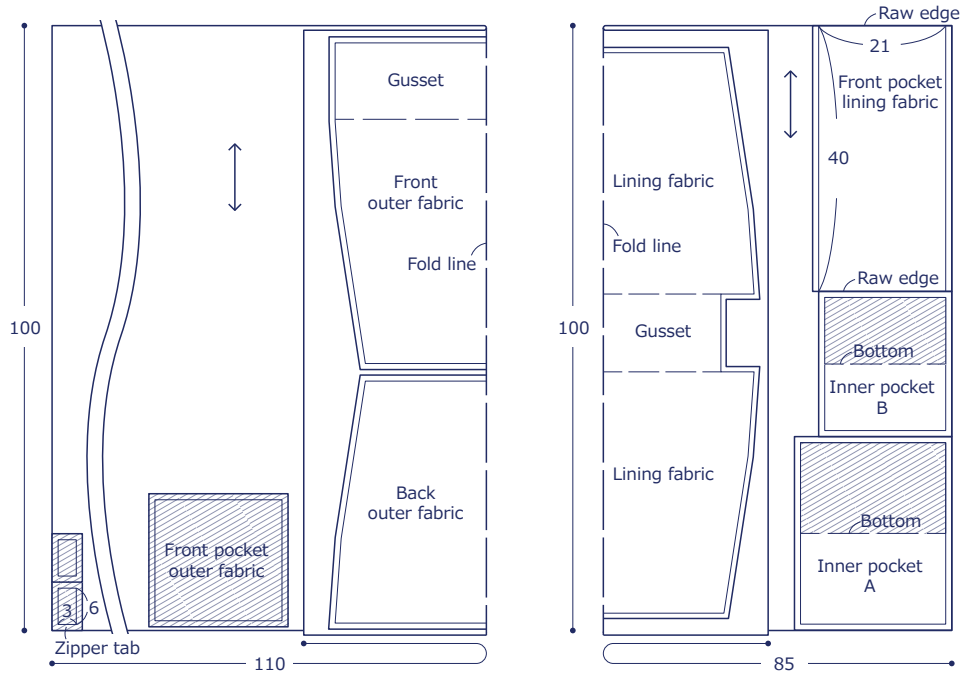


Cutting Layout

Add 1cm seam allowance.

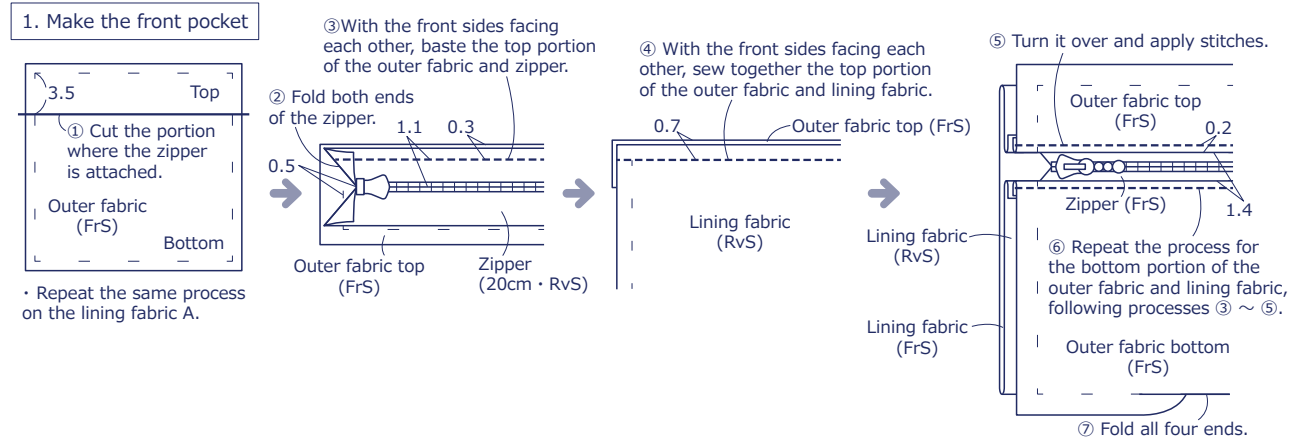
Adhere fusible quilt batting on the back of the front outer fabric, gusset outer fabric and back outer fabric.

Adhere fusible interfacing on the back of the fabrics with hatched areas.



Instructions

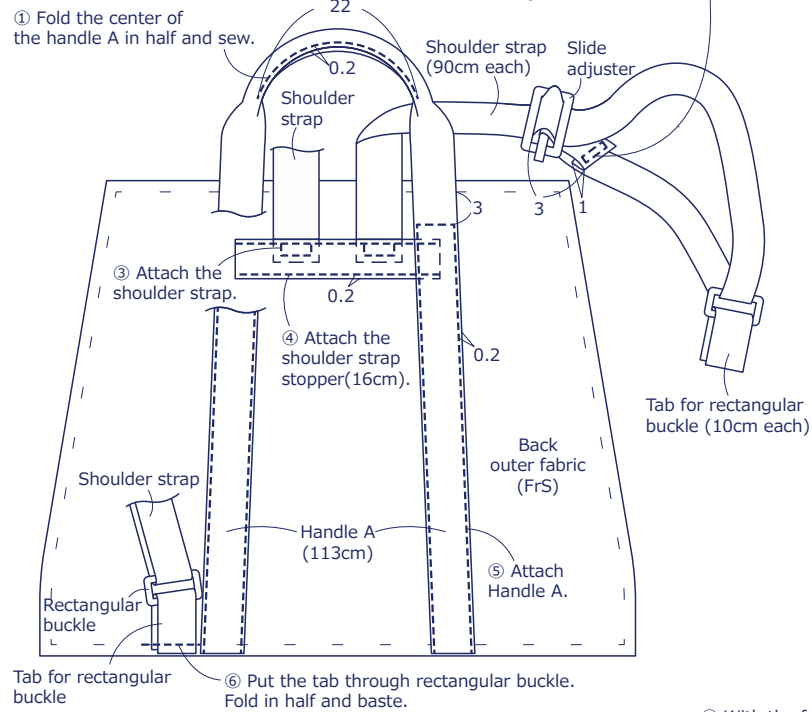
Front Side - (FrS), Reverse Side (RvS)



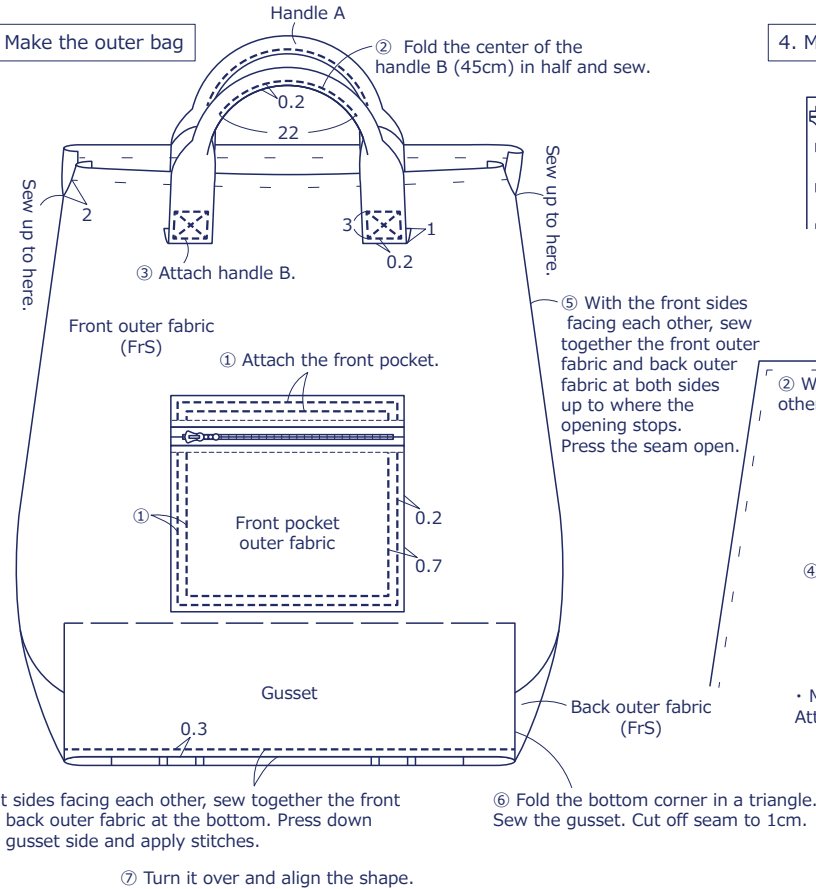
The craft projects and works featured in kokka-fabric.com are strictly for personal use and enjoyment. Please refrain from selling handmade items using the same exact design (including the pieces made in different fabrics) featured in kokka-fabric.com.

Instructions

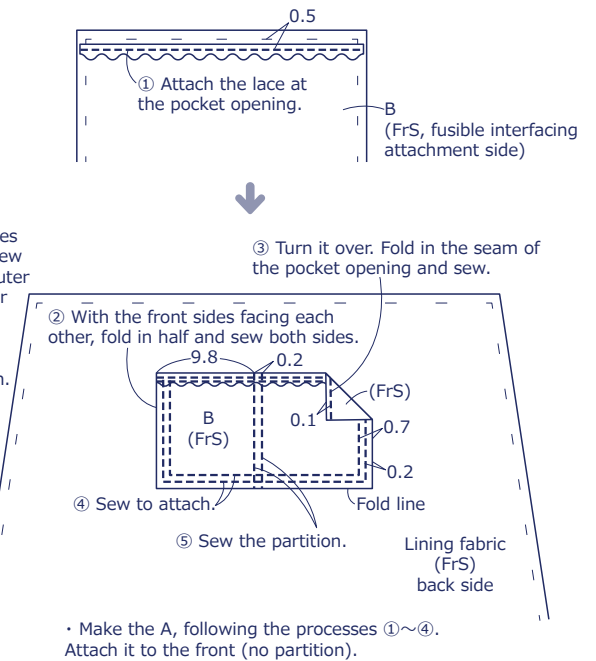
2. Make the back outer fabric



3. Make the outer bag



4. Make the inner pocket



5. Make the lining bag

With the front sides facing each other, fold the lining fabric in half. As in 3 5, sew both sides (leaving an opening for turning on one side for 20cm). Make the gusset as in 3 6.

6. Attach the zipper

