



Dress with Clown-Style Collar

Design & work: Naomi Nohara (lepolepo)

Size: For a child with 70-80cm height,

Body length 42cm

Body width 42cm,

Sleeve length 29cm

Materials

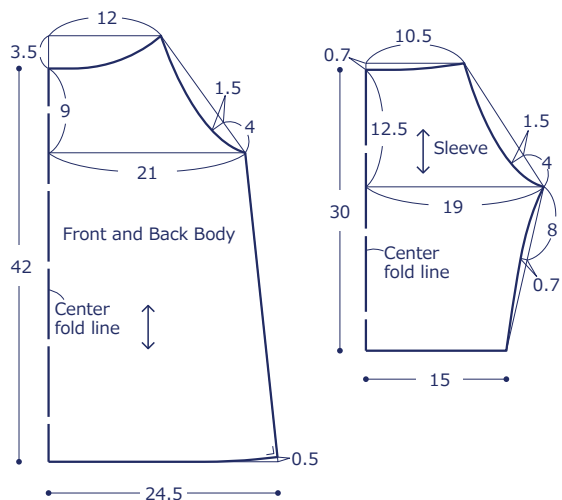
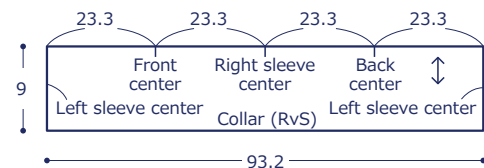
- Fabric : 110cm wide x 1m
- Elastic tape: 64cm (Braid 6 cord)

Fabric shown for this sample: LGA-29060-2C

Pattern and Cutting Layout

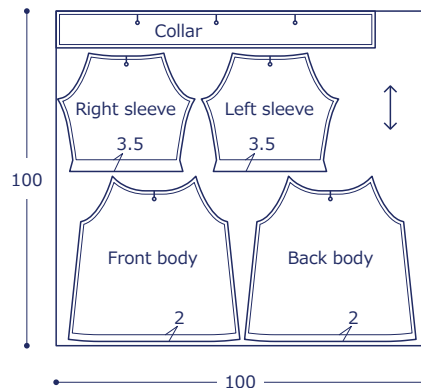
Front Side - (FrS), Reverse Side (RvS)

Unit: Centimeters (cm)

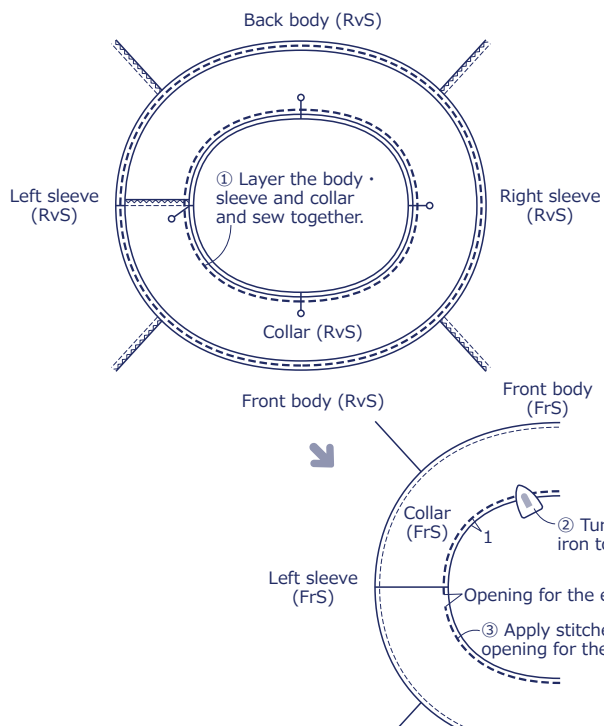


Cutting Layout

Add 1cm seam allowance unless specified otherwise.
Put matchmarks on the body · sleeve center, and collar.

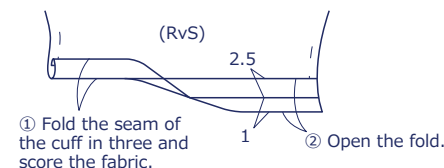


4. Attach the collar



Instructions

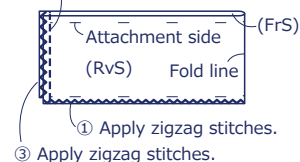
1. Fold the seam of the cuff



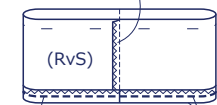
• Make two pieces.

2. Make the collar

② With the front sides facing each other, fold in two and sew the sleeve left center side.



④ Press down the seam from ③ to the back side.



⑤ Fold the seam and sew.

⑦ Fold the seam of the cuff in three and sew, leaving an opening for the elastic.

⑧ Put through the elastic tape (Collar - 34cm, Cuff - 15cm each) and tie the ends. Close the opening.

