



Recycled Denim-Style Bucket Bag

Design & work: Yui Tamaki

Size: 35cm (l) 25cm (bottom diameter)

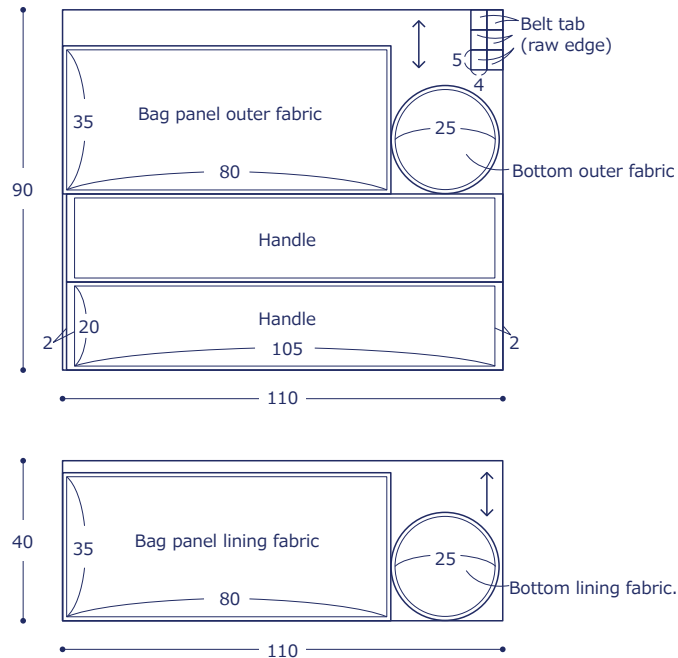
Materials

- Fabric (Outer fabric, Handle, Belt tab): 110cm wide×90cm (Lining fabric (#11 Canvas)): 110cm wide×40cm
- Belt: 2cm wide – One piece

Fabric shown for this sample: LG-29100-4A

Pattern and Cutting Layout

The unit is cm. 1cm seam allowance unless specified otherwise.



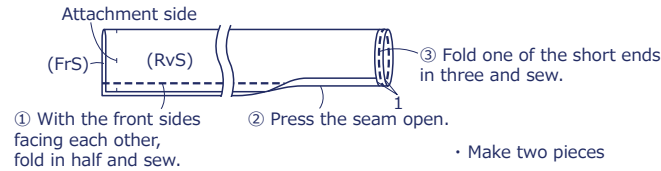
have fun with KOKKA fabric! produced by KOKKA

kokka-fabric.com

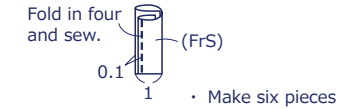
The craft projects and works featured in kokka-fabric.com are strictly for personal use and enjoyment. Please refrain from selling handmade items using the same exact design (including the pieces made in different fabrics) featured in kokka-fabric.com.

Instructions Front Side - (FrS), Reverse Side (RvS)

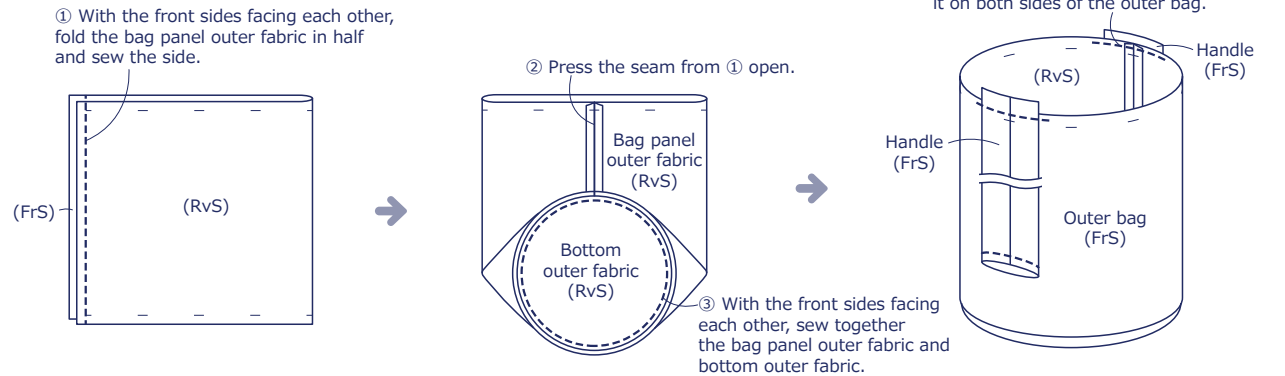
1. Make the handles



2. Make the belt tabs



3. Make the outer bag



4. Make the lining bag

Repeat the process as in 3①~③. (Leave an opening for turning for 10cm on the side.)

5. Finish the bag

