

The craft projects and works featured in kokka-fabric.com are strictly for personal use and enjoyment. Please refrain from selling handmade items using the same exact design (including the pieces made in different fabrics) featured in kokka-fabric.com.

# Backpack with Frills

Design & work: Aiko Hada

Size: 40cm (l) 30cm (w)

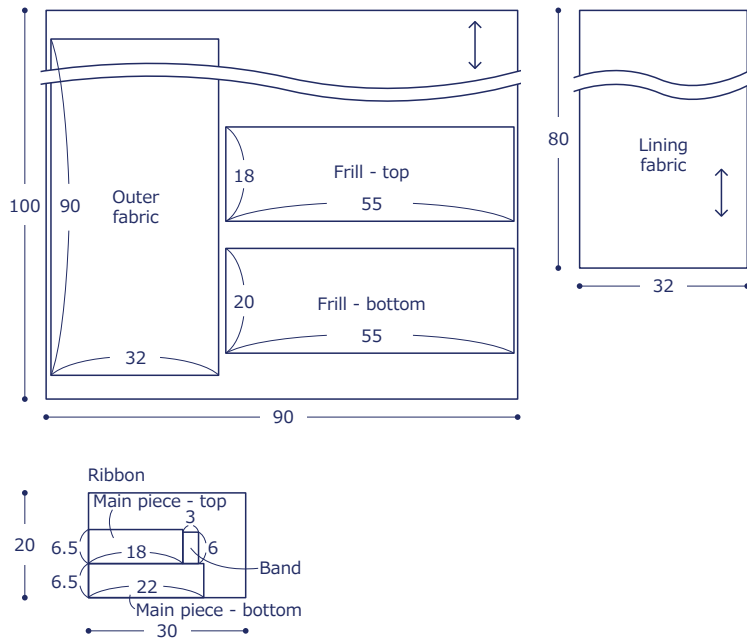
## Materials

- Fabric (Outer Fabric, Frill): 90cm×1m  
(Lining Fabric): 32cm×80cm  
(Ribbon): 30cm×20cm
- Acrylic Tape: 2.5cm wide x 12cm
- Cord: 0.6cm diameter x 3.4m

Fabric shown for this sample: (Outer Fabric, Frill) Water Blur LG-29030-1C

## Pattern and Cutting Layout

Unit: cm. All raw edge.



## Instructions

Front Side - (FrS), Reverse Side (RvS)

