



Drawstring Bag with Handles

Design & Work: Yui Tamaki

Size: 41cm (l) 40cm (W)

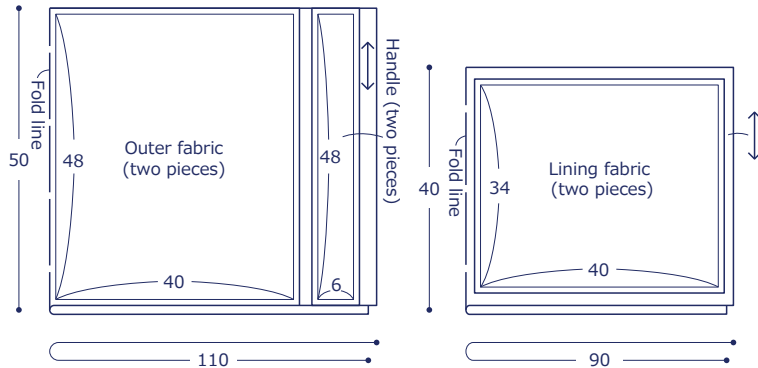
Materials

- Fabric (Outer Fabric, Handle): 110cm wide x 50cm (Lining Fabric (Artificial Leather)): 90cm x 40cm
- Fusible interfacing: 90cm x 50cm
- Leather Cord: 1.8m (0.5cm diameter)
- Embellishment of your choice

Fabric shown for this sample: (Outer Fabric, Handle) uremos EKA-1060-1A

Pattern and Cutting Layout

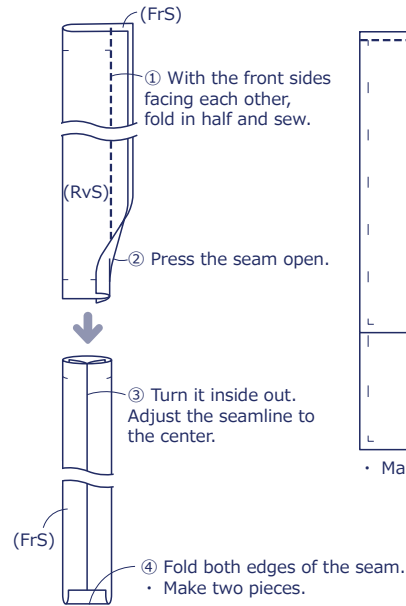
Unit: cm. Seam allowance: 1cm.
Adhere fusible interfacing on the back of the outer fabric.



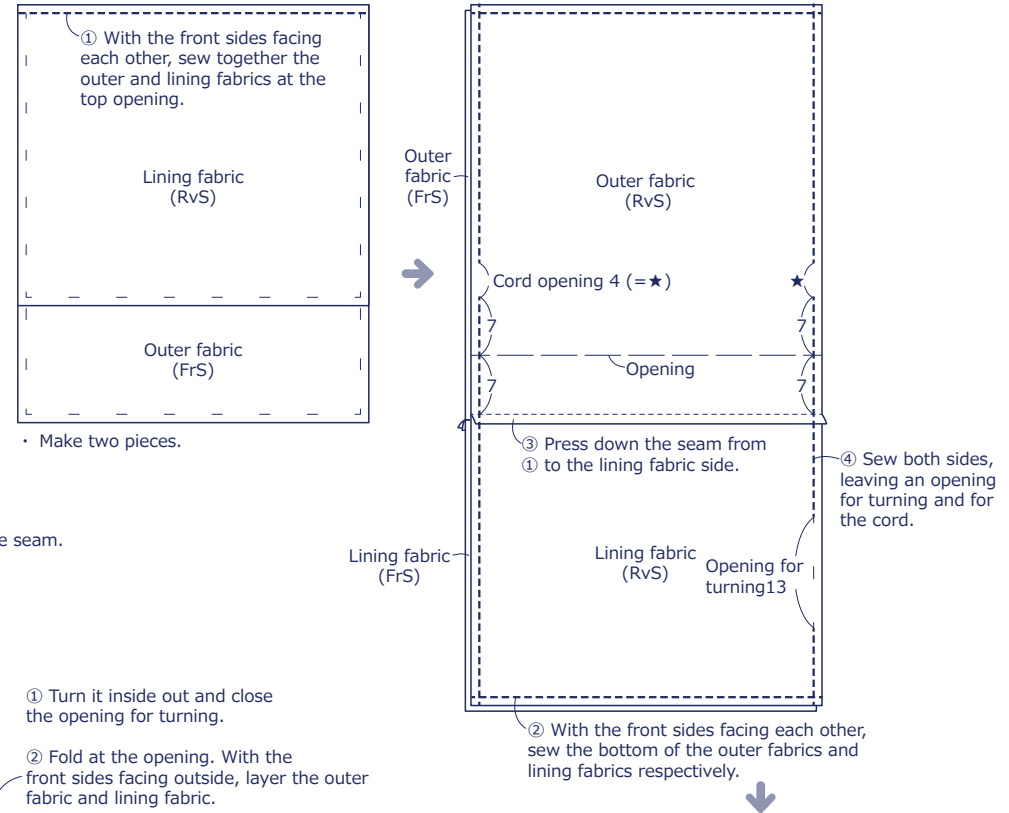
The craft projects and works featured in kokka-fabric.com are strictly for personal use and enjoyment. Please refrain from selling handmade items using the same exact design (including the pieces made in different fabrics) featured in kokka-fabric.com.

Instructions Front Side - (FrS), Reverse Side (RvS)

1. Make the handles



2. Make the main portion of the bag



3. Finish the bag

