



Single Soft Handle Bag with a Round Bottom

Design & Work: Yui Tamaki

Size: 32cm (l) 45cm (w-at the opening)
15cm (bottom diameter)

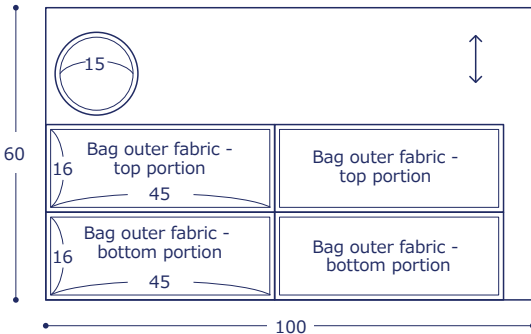
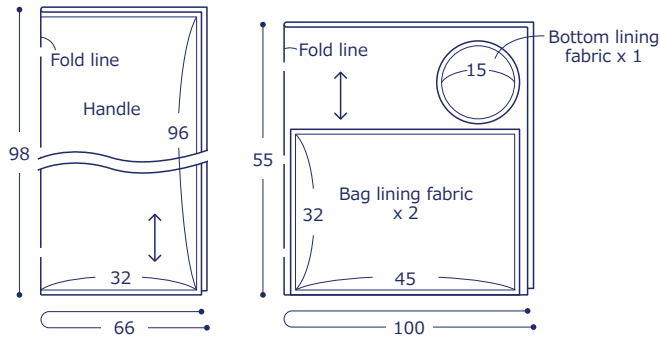
Materials

- Fabric (Handle): 66cm x 98cm
(Outer fabric (Wool)): 100cm x 60cm
(Lining fabric (thin artificial leather)): 100cm x 55cm
- Button: Four pieces (1.5cm diameter)

Fabric shown for this sample: +HAYU EGX-7702-2A

Pattern and Cutting Layout

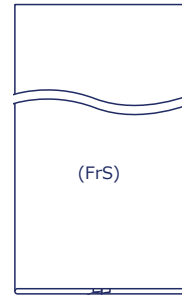
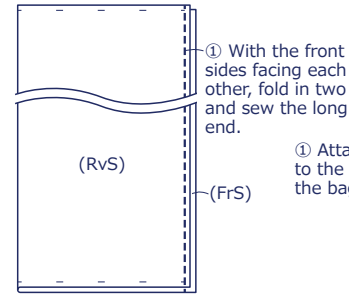
Unit: Centimeters (cm) Add 1cm seam.



Instructions

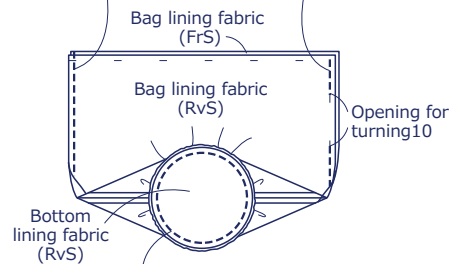
Front Side - (FrS), Reverse Side (RvS)

1. Make the handle



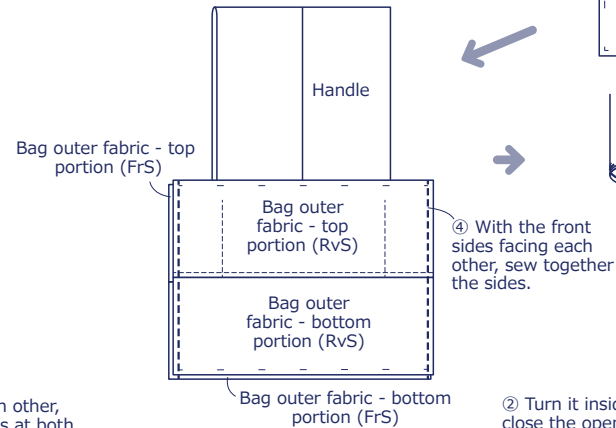
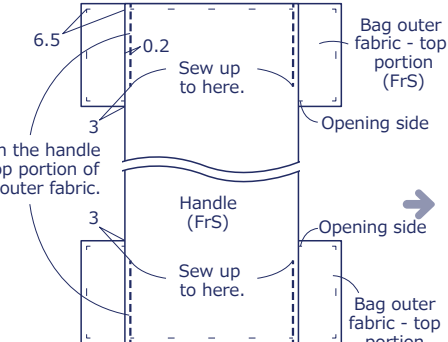
3. Make the lining bag

- ① With the front sides facing each other, sew together the bag lining fabrics at both sides (leave an opening for turning on one side).



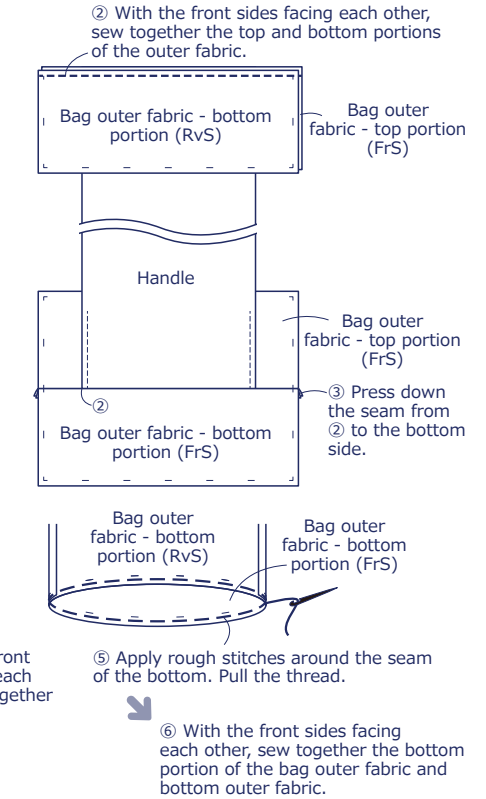
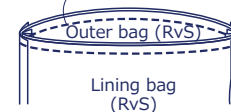
- ② As in ②⑤, apply rough stitches around the seam of the bottom. Pull the thread. With the front sides facing each other, sew together with the bottom lining fabric.

2. Make the outer bag



4. Finish the bag

- ① With the front sides facing each other, piece together the outer and lining bags at the top opening (avoid the handle when sewing).



- ② Turn it inside out and close the opening for turning.

