



Flask Shaped Bag

Design & work: Mioko Sugino

Size: 30cm (l) 30cm (w)

have fun with KOKKA fabric! produced by KOKKA

kokka-fabric.com

The craft projects and works featured in kokka-fabric.com are strictly for personal use and enjoyment. Please refrain from selling handmade items using the same exact design (including the pieces made in different fabrics) featured in kokka-fabric.com.

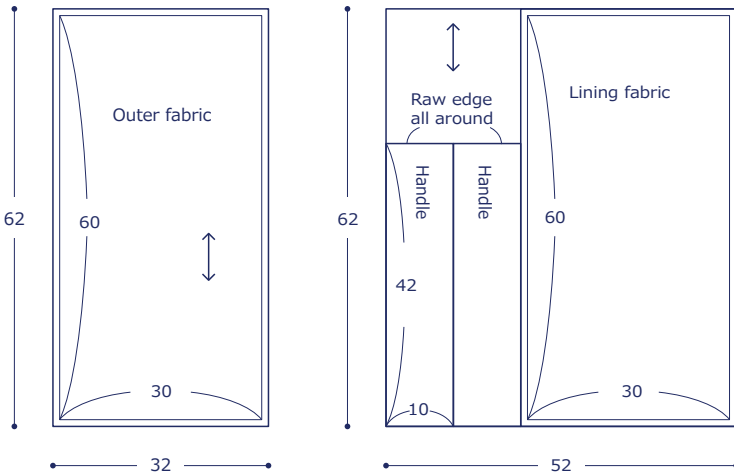
Materials

- Fabric (Outer fabric): 32cm×62cm
(Lining fabric, Handle): 52cm×62cm
- Tape: 3cm wide x 48cm
- Tag

Fabric shown for this sample: (Outer fabric) egg press EKXA-5400-1C

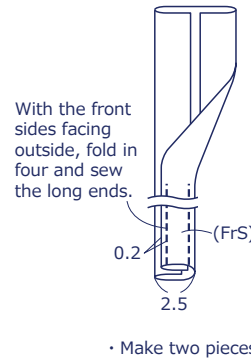
Pattern and Cutting Layout

Unit: cm. Add 1cm seam allowance unless specified otherwise.



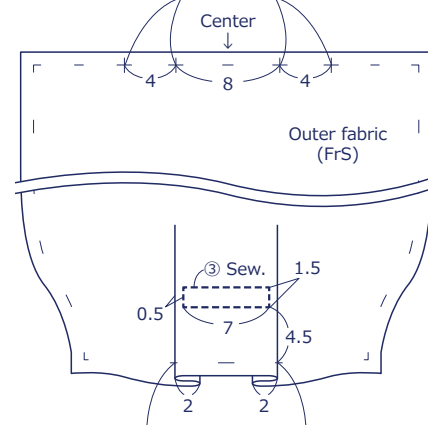
Instructions Front Side - (FrS), Reverse Side (RvS)

1. Make the handle



2. Make the outer bag

① Mark the tuck location on the short end of the fabric.



② Align the marks and fold the tucks.

3. Make the lining bag

Repeat the process as in ② ①~③⑦⑧

4. Finish the bag

Fold the seam at the top opening of the outer bag and lining bag. With the front sides facing outside, sew together the bags.

