



# Backpack in American Comic Style Dinosaur Fabric

Size: 31cm (l), 26cm (w), 11cm (d)

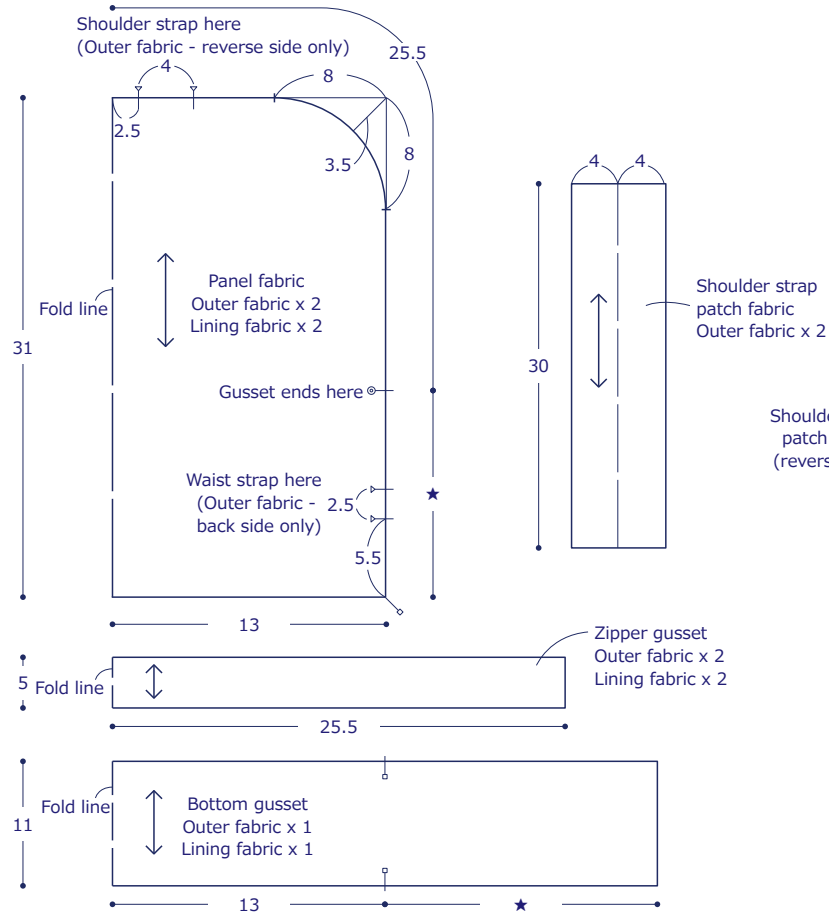
## Materials

- Fabric: (Outer fabric) 110cm wide x 70cm  
(Lining fabric) 110cm wide x 70cm
- Zipper: 50cm - One piece
- Acrylic Tape: 2.5cm wide - 166cm
- Buckle: 2.5cm wide - Two pairs
- Bias binding tape: 11mm wide - 230cm

Fabric shown for this sample: (Outer fabric) teiban YK-69080-5C

## Pattern

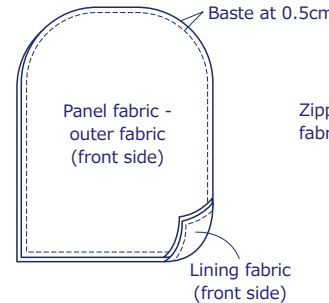
All seam allowances 1cm unless otherwise stated. Please cut the fabric with seam allowances.



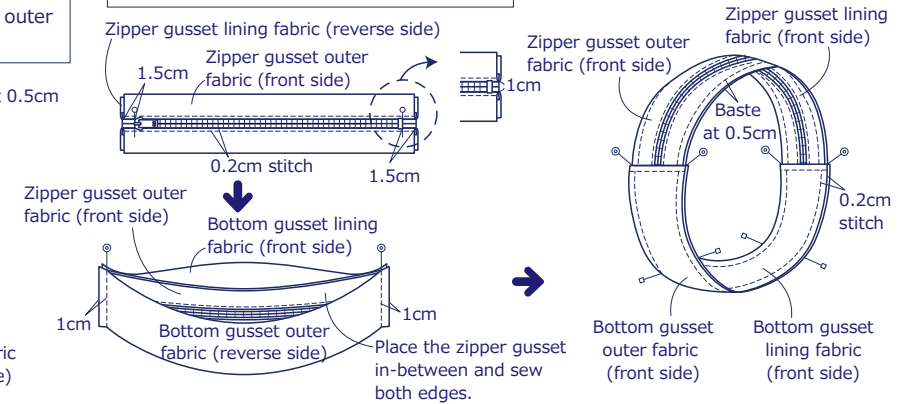
The craft projects and works featured in kokka-fabric.com are strictly for personal use and enjoyment. Please refrain from selling handmade items using the same exact design (including the pieces made in different fabrics) featured in kokka-fabric.com.

## Instructions

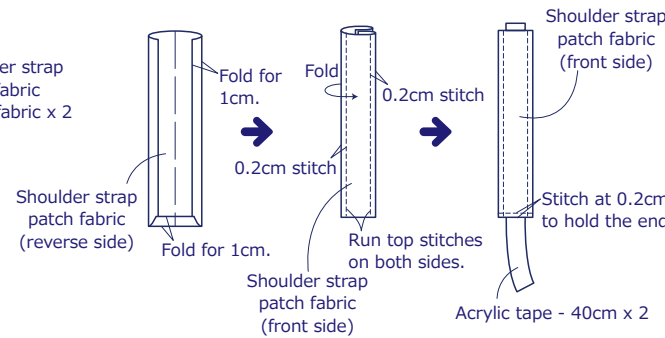
1. With front sides facing each other, temporarily piece together the outer and lining fabrics.



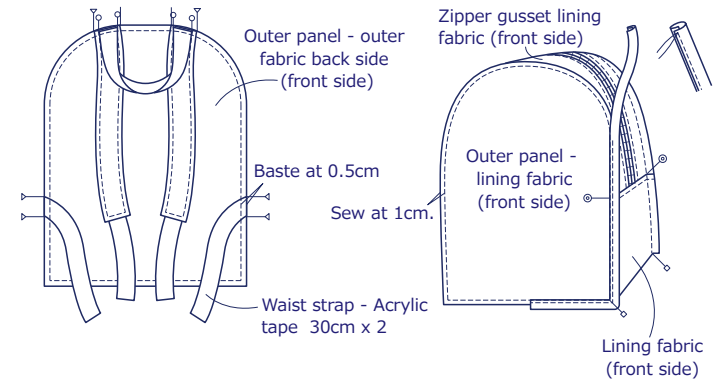
2. Attach the zipper and finish the gusset.



3. Make the shoulder strap.



4. Baste the shoulder strap and waist strap to the back side of the outer panel fabric.



5. Sew together the outer panels and gussets and wrap around the seam using bias binding tape.

6. Turn it inside out. Put the buckle through acrylic tape and sew.

