



Relaxed Look Square Bag

Design & work: Mioko Sugino

Size: 20cm (l) 20cm (w) 20cm (d)

Materials

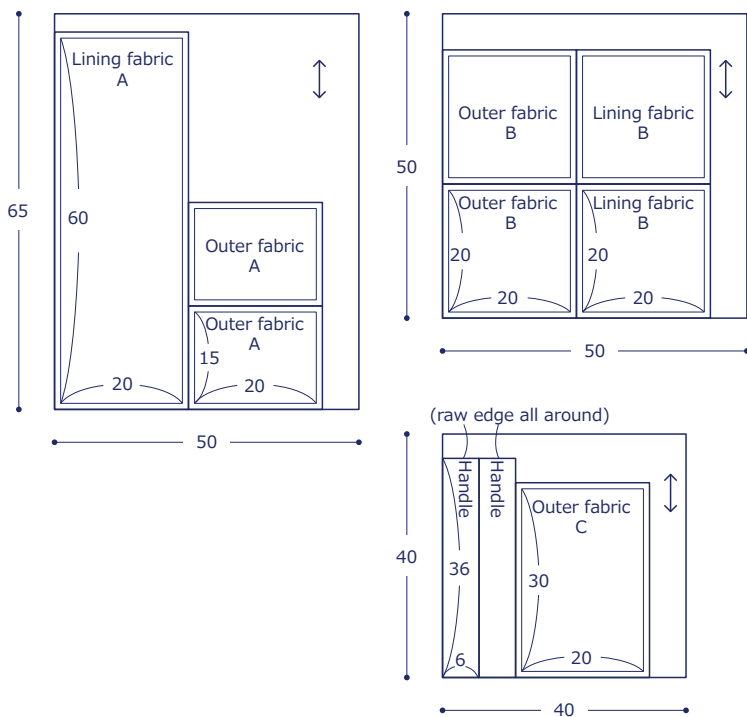
- Fabric (Outer Fabric A · Lining Fabric A): 50cm x 65cm
(Outer Fabric B · Lining Fabric B): 50cm x 50cm
(Outer Fabric C · Handle): 40cm x 40cm

Fabric shown for this sample:

- (Outer Fabric A · Lining Fabric A) JAMBO LGB-31040-3D
- (Outer Fabric B · Lining Fabric B) JAMBO LGB-31050-1E Moon Skin
- (Outer Fabric C · Handle) JAMBO LGB-31050-1C River Blue

Pattern and Cutting Layout

Unit: cm Add 1cm seam allowance unless otherwise stated.



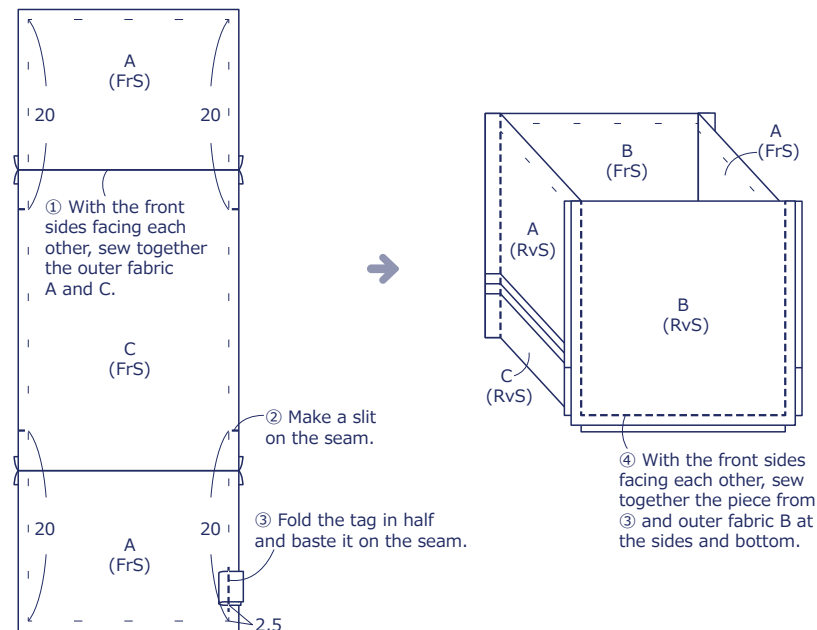
have fun with KOKKA fabric! produced by KOKKA

kokka-fabric.com

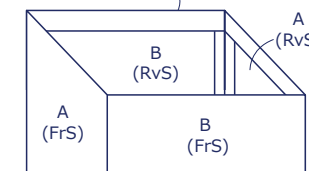
The craft projects and works featured in kokka-fabric.com are strictly for personal use and enjoyment. Please refrain from selling handmade items using the same exact design (including the pieces made in different fabrics) featured in kokka-fabric.com.

Instructions Front Side - (FrS), Reverse Side (RvS)

1. Make the outer bag



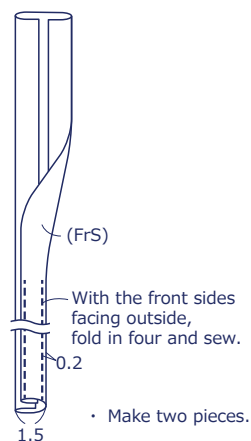
⑤ Turn it inside out and fold the seam at the opening.



2. Make the lining bag

As in ①②, make a slit on lining fabric A.
As in ①④, with the front sides facing each other, sew together the lining fabric B and fold the seam at the opening.

3. Make the handle



4. Finish the bag

