



# Dress with Gathered Open Neckline

Design & work: Yoko Kato

Size: Dress length 117cm  
Ribbon 3cm (w) 180cm (l)

## Materials

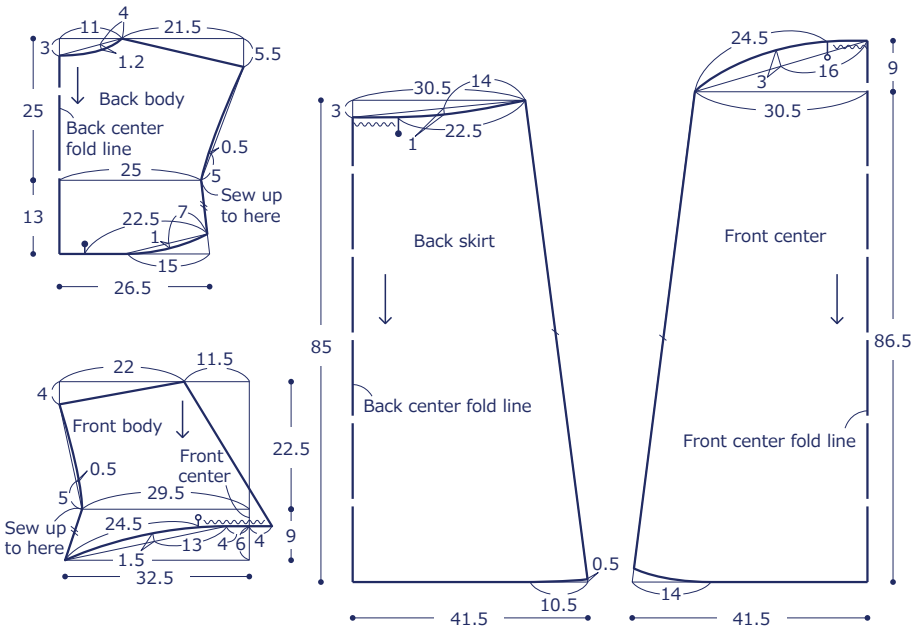
□ Fabric: 110cm wide x 3.1m

Fabric shown for this sample: yui EGXA-6400-1A

## Pattern and Cutting Layout

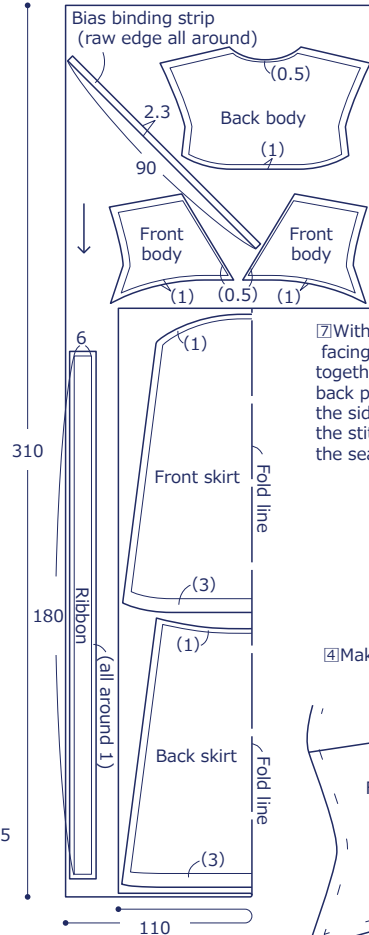
Unit: Centimeters (cm) ( ): Seam allowance All raw edge unless otherwise specified.

~~~~~ = gathering



## Cutting Layout

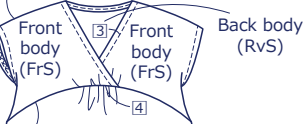
( ) denotes seam. Add 1.5cm seam unless otherwise specified.



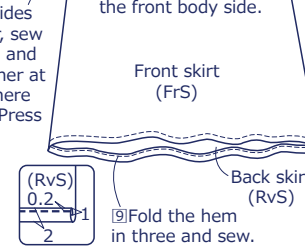
## Instructions Front Side - (FrS), Reverse Side (RvS)

① Apply zigzag stitches on the body's shoulder, from armhole down the side, and side seam of the skirt.

② With the front sides facing each other, sew together the front and back bodies at the shoulder. Press the seam open.

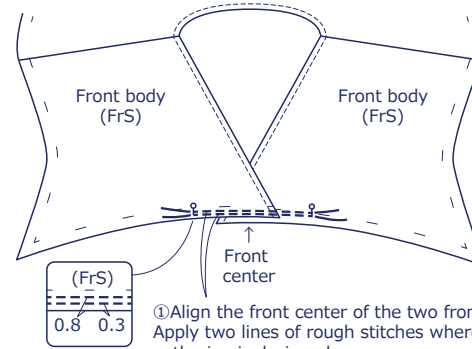


③ As in ② make a gathering on the front skirt. With the front sides facing each other, sew together the front skirt and front body. Apply zigzag stitches on the side and press the seam down to the front body side.



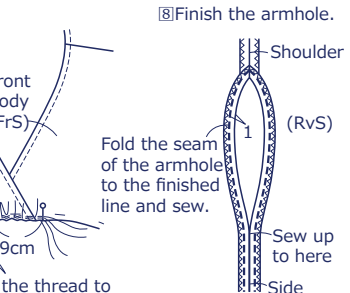
④ With the front sides facing each other, sew together the front and back pieces together at the side (up to where the stitch stops). Press the seam open.

④ Make a gathering on the front body.

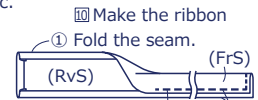


① Align the front center of the two front bodies. Apply two lines of rough stitches where the gathering is designed.

② Pull the thread to gather the fabric.



⑧ Finish the armhole.

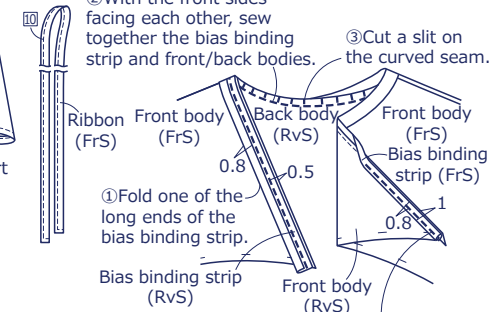


② With the front sides facing outside, fold in half and sew.

⑥ As in ④ make a gathering on the back skirt (adjust the width to match the back body). With the front sides facing each other, sew together the back skirt and back body. As in ⑤ finish the seam.

③ Finish the neckline.

② With the front sides facing each other, sew together the bias binding strip and front/back bodies. ③ Cut a slit on the curved seam.



① Fold one of the long ends of the bias binding strip.

④ With the front sides facing outside, sew together the bias binding strip and front/back bodies.