



Two-Way Cross-Body Bag

Design & work: Yui Tamaki

Size: 30cm (l)
15cm (w-at the top) 20cm (bottom)
8cm (d)

have fun with KOKKA fabric! produced by KOKKA

kokka-fabric.com

The craft projects and works featured in kokka-fabric.com are strictly for personal use and enjoyment. Please refrain from selling handmade items using the same exact design (including the pieces made in different fabrics) featured in kokka-fabric.com.

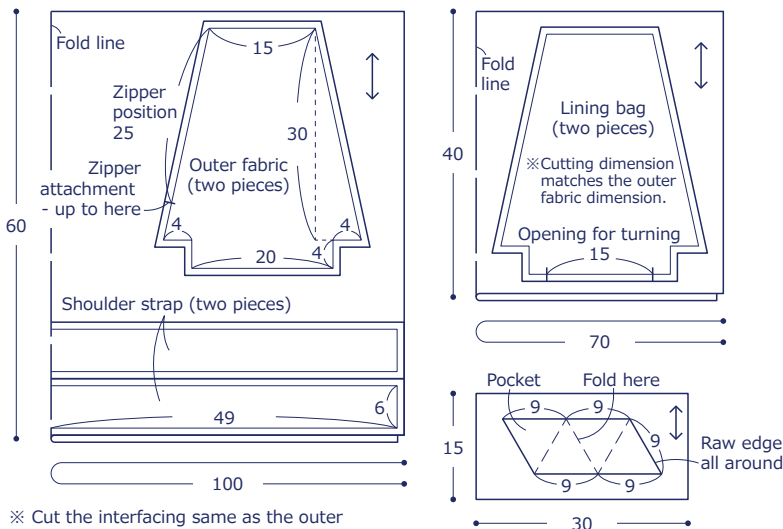
Materials

- Fabric (Outer fabric, Shoulder strap): 100cm×60cm
(Lining fabric): 70cm×40cm
(Pocket (Glossy faux leather)): 30cm×15cm
- Fusible interfacing: 50cm x 100cm
- Vislon zipper: 50cm and 25cm – one each
- Leather tape: 18cm (1.5cm wide)
- PP (polypropylene) band: 20cm (2.5cm)
- Rectangle ring: Four pieces (3cm inner diameter)
- Plastic snap: One pair (1cm diameter)
- Tag of your choice: One piece

Fabric shown for this sample: (Outer fabric, Shoulder strap) KESHIKI EWX-3802-1A

Pattern and Cutting Layout

Unit: Centimeters (cm) Add 1cm seam unless otherwise specified.



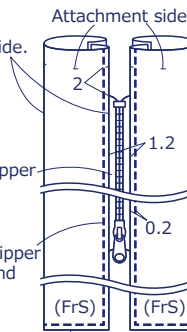
※ Cut the interfacing same as the outer fabrics and shoulder strap. Adhere fusible interfacing on the back.

Instructions

Front Side - (FrS), Reverse Side (RvS)

① Fold all the seams (except for the attachment side) and fold in half with the front sides facing outside.

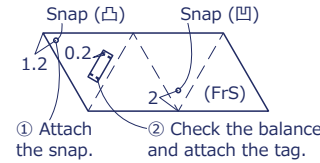
1. Make the shoulder strap



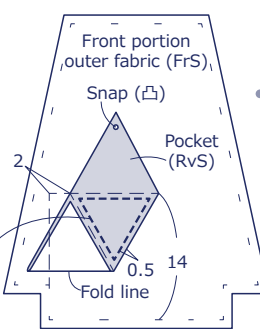
② Place the zipper in-between and sew together.

③ With the front sides facing each other, attach it to the front portion outer fabric.

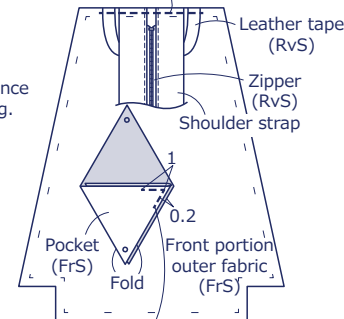
2. Make the pocket. Baste the shoulder strap and leather tape



② Check the balance and attach the tag.



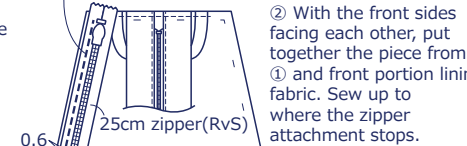
⑤ Layer the shoulder strap and leather tape to baste.



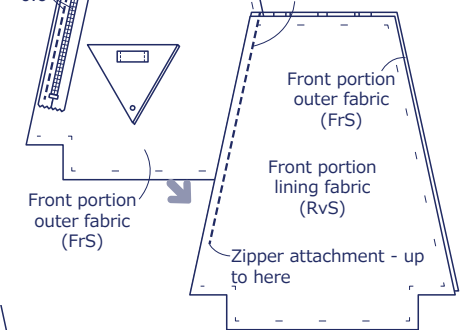
④ Fold the pocket as shown. Secure the edge of the opening with stitches.

3. Attach the zipper

① With the front sides facing each other, baste the front portion outer fabric and zipper.



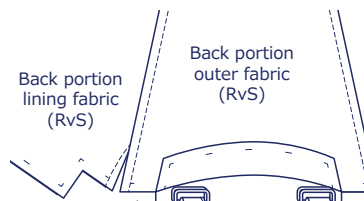
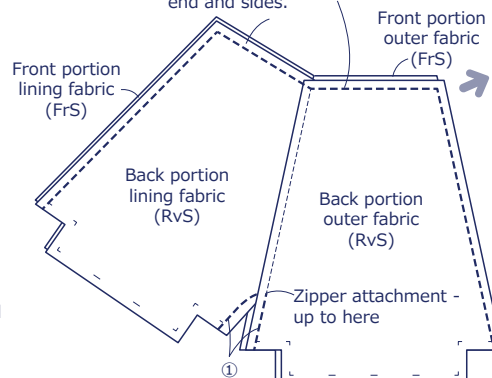
② With the front sides facing each other, put together the piece from ① and front portion lining fabric. Sew up to where the zipper attachment stops.



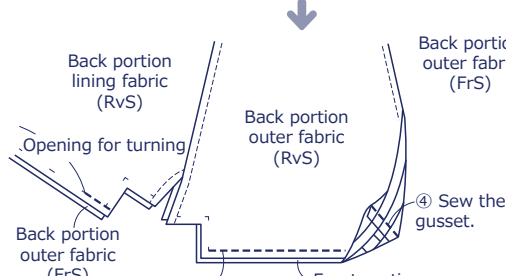
③ As in ②, attach the other side of the zipper to the back portion outer fabric and lining fabric.

4. Make the bag

① With the front sides facing each other, put together the outer fabrics and lining fabrics respectively by sewing the top end and sides.



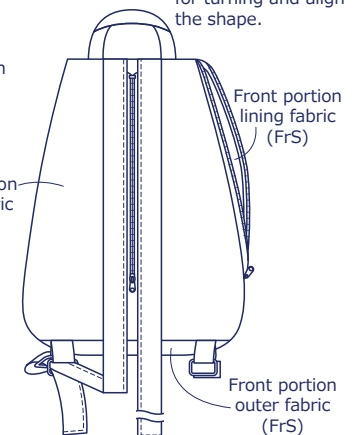
② Put two rectangle buckles through the PP band (10cm each) and fold the band in half to baste.



③ Sew the bottom (Leave an opening for turning on the lining fabric.)

5. Finish the bag

① Turn it inside out. Close the opening for turning and align the shape.



② Put the shoulder strap through the rectangle buckle.