



# Foldable Reusable Bag (Eco Bag)

Design & work: Kokka Fabric

Size: about 34cm (l)  
about 31cm (w)  
about 11cm (d)  
(handles excluded)

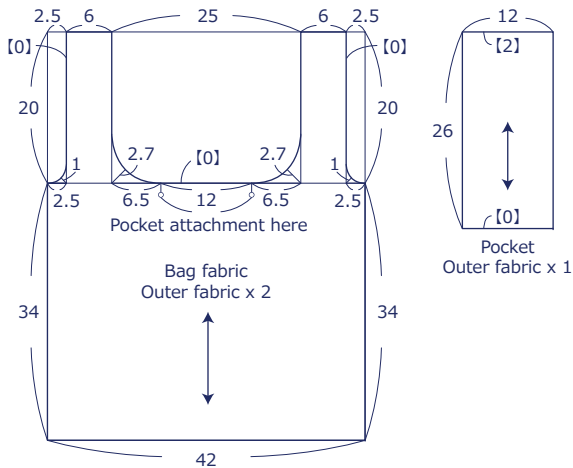
## Materials

- Outer fabric (Nylon): about 115cm wide x 60cm
- Bias binding tape: about 11mm wide x 250cm

Fabric shown for this sample: LO-56100-1A

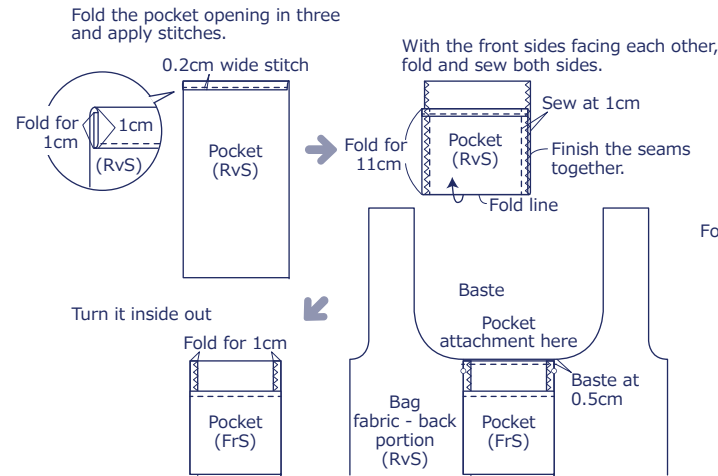
## Pattern and Cutting Layout

Unit: Centimeters (cm) [ ]: Seam Allowance.  
When cutting the fabric, add 1cm seam allowance unless specified otherwise.

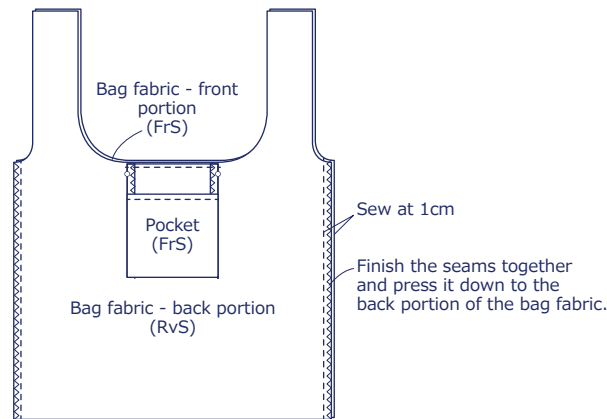


## Instructions Front Side - (FrS), Reverse Side (RvS)

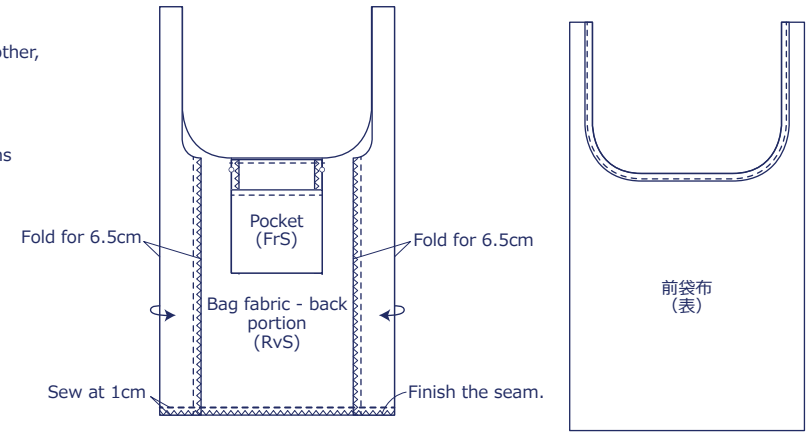
### 1. Make the pocket and baste it to the back portion of the bag fabric



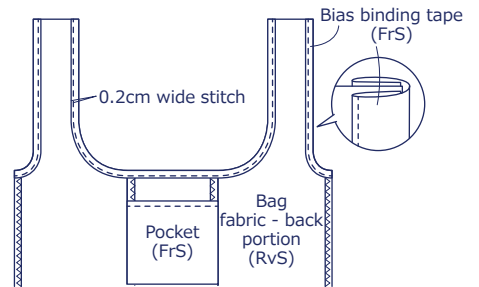
### 2. With the front sides facing each other, sew together the bag fabrics at the sides



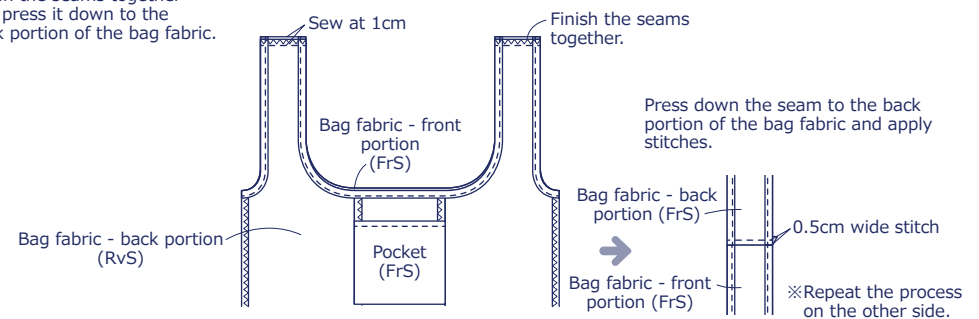
### 3. Fold the gusset and sew the bottom



### 4. Finish the bag opening using the bias binding tape



### 5. With the front sides facing each other, sew together the handles



### 6. 表に返して完成

