



Gathered Skirt for Kids

Design & Work: Naomi Nohara (lepolepo)

Size: 130cm height: length 41.5cm
100cm height: length 32.5cm

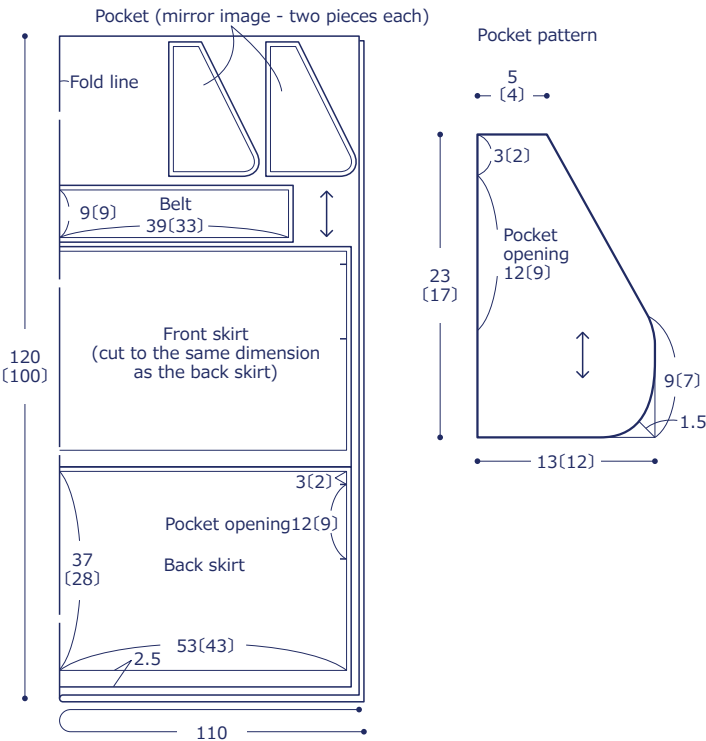
Materials (For one skirt Numbers in () is for 100cm height)

- Fabric: 110cm wide x 1.2(1)m
- Elastic tape: 2cm wide x about 50(about 44)cm
- Ribbon: 1cm wide x 60(60)cm

Fabric shown for this sample: 130cm height: nostalgic garden YH-16030-1A
100cm height: nostalgic garden YH-16030-2A

Pattern and Cutting Layout

Unit: cm. Seam allowance: 1cm unless otherwise specified



have fun with KOKKA fabric! produced by KOKKA

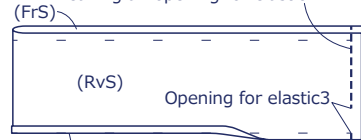
kokka-fabric.com

The craft projects and works featured in kokka-fabric.com are strictly for personal use and enjoyment. Please refrain from selling handmade items using the same exact design (including the pieces made in different fabrics) featured in kokka-fabric.com.

Instructions Front Side - (FrS), Reverse Side - (RvS)

1. Make the belt

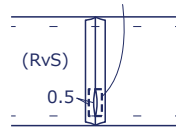
② Open ① and fold in half with the front sides facing each other. Apply stitches, leaving an opening for elastic.



① Fold the seam of one side of the long end of the fabric.

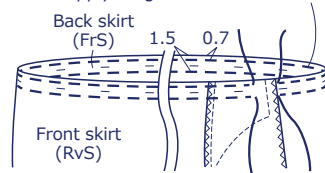
② With the front sides facing each other, sew together the back skirt and back pocket.

③ Press the seam open. Apply stitches around the opening for the elastic.

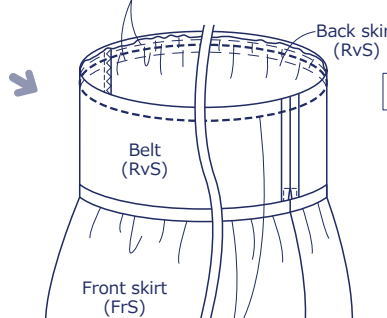


3. Attach the belt

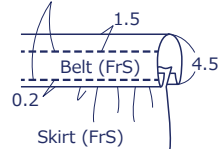
① Apply rough stitches around the waist.



② Pull the thread from ① and tighten it to the belt attachment dimension.



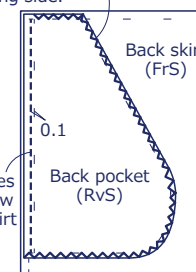
④ With the front sides facing outside, fold the belt in half. Stitch from the front side.



⑤ Pull the thread from ①.

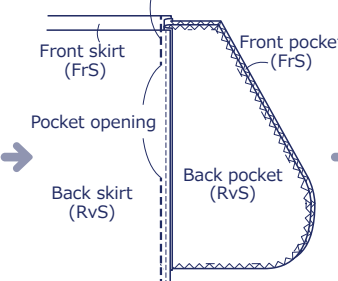
2. Make the pocket

① Apply zigzag stitches around the pocket fabric except the opening side.

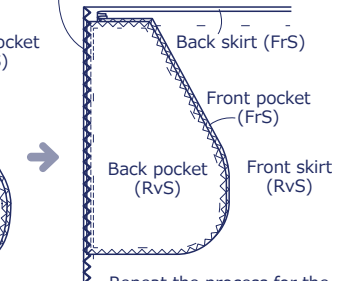


• Repeat the process for the front skirt and front pocket.

③ With the front sides facing each other, sew together the sides of the front and back skirts, (avoiding the pocket) and leaving an opening for the pocket.

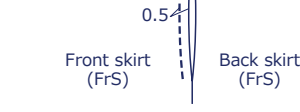


④ With the front sides facing each other, put together the back skirt and back pocket, and apply zigzag stitches on the seam, (avoiding front skirt and front pocket).

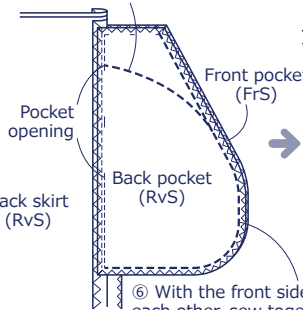


• Repeat the process for the front skirt and front pocket.

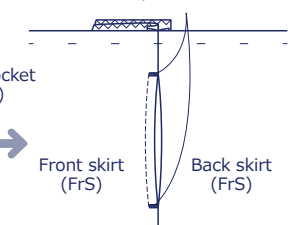
⑤ Press the seam open. Apply stitches on the pocket opening.



⑦ Starting from the pocket opening, apply stitches to follow the line from ①.



⑧ Press the pocket to the front. Apply stitches at the top and bottom of the pocket.



4. Finish the skirt

