



# Drawstring Tote Bag

Design & Work: Kokka Fabric

Size: about 40cm (l)  
about 50cm (w)  
(handles excluded)

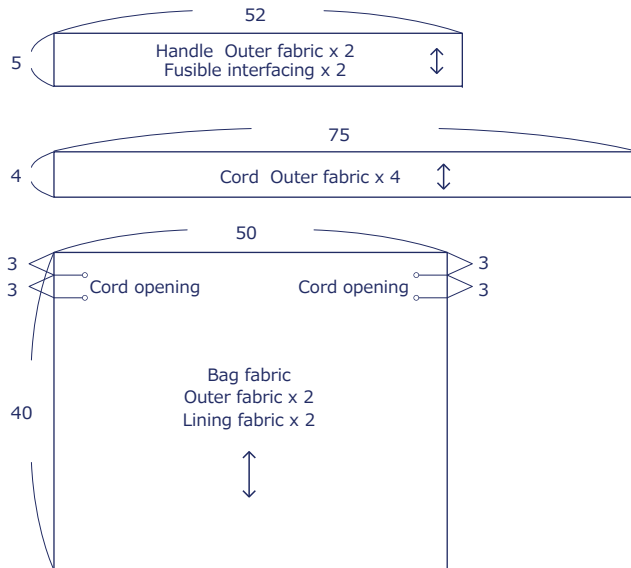
## Materials

- Outer fabric: about 112cm wide x 80cm
- Lining fabric: about 112cm wide x 50cm
- Fusible interfacing (medium weight): about 90cm wide x 20cm

Fabric shown for this sample: LG-36000-2E

## Pattern

Unit: cm. Add 1cm seam allowance when cutting the fabric.



※ Adhere fusible interfacing on the back of the handles.

have fun with KOKKA fabric! produced by KOKKA

[kokka-fabric.com](http://kokka-fabric.com)

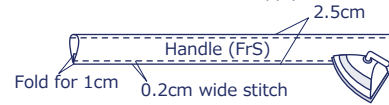
The craft projects and works featured in kokka-fabric.com are strictly for personal use and enjoyment. Please refrain from selling handmade items using the same exact design (including the pieces made in different fabrics) featured in kokka-fabric.com.

## Instructions

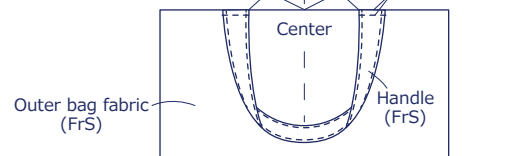
Front Side - (FrS), Reverse Side (RvS)

1. Make the handles and baste them to the bag outer fabric

Fold the handle in four and apply stitches.

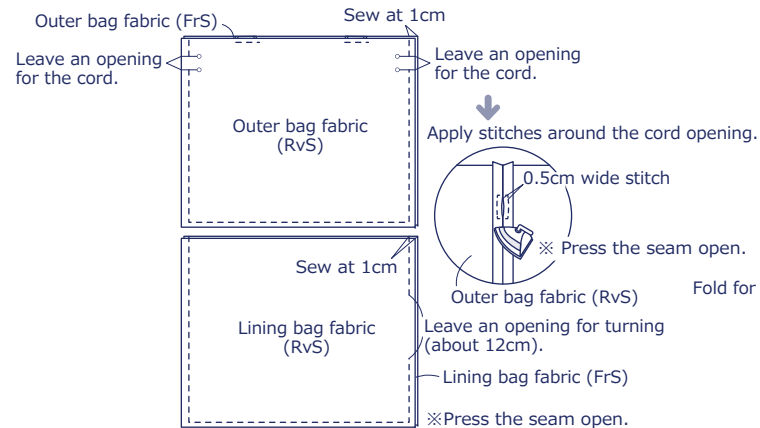


Baste it to the bag outer fabric.

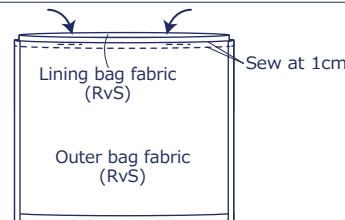


※ Repeat the same process on the other side.

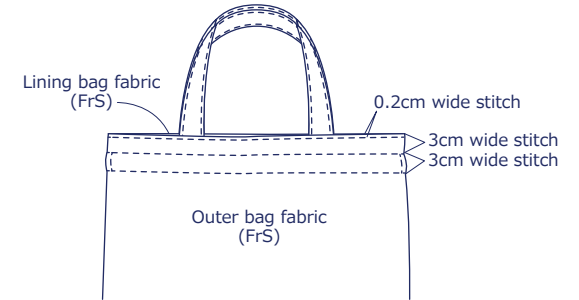
2. With the front sides facing each other, sew together the bag fabrics at the sides and bottom.



3. With the front sides facing each other, sew together the outer and lining bag fabrics at the top opening.

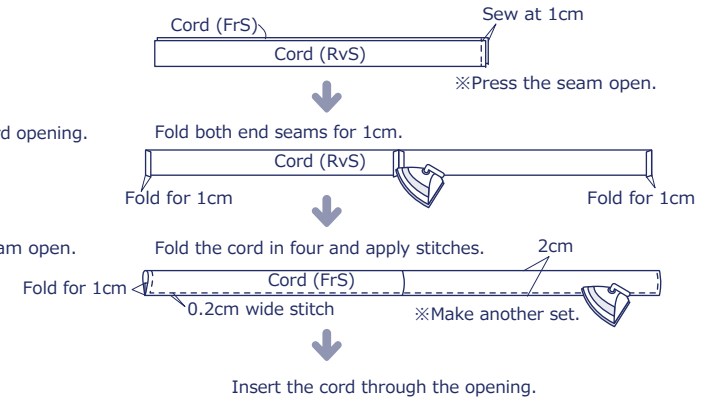


4. Turn it inside out. Apply stitches around the top opening and cord opening



5. Make the cord. Insert it through the cord opening

With the front sides facing each other, sew together two cord fabrics.



※ Close the opening for turning.