



Tote Bag with Side Pockets

Design & work: Mioko Sugino

Size: 24cm (l) 36cm (W) 10cm (d)

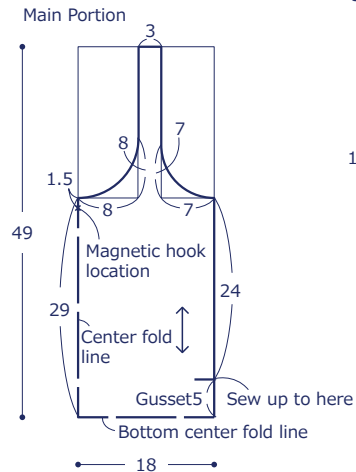
Materials

- Fabric (Outer Fabric · Pocket): 70cm×110cm
(Lining Fabric): 55cm×110cm
(Tag Fabric): 7cm×4.5cm
- Twill Tape: 2cm wide x 28cm
- Magnetic Hook (Sew on type): One pair (1.4cm diameter)

Fabric shown for this sample: (Outer Fabric · Pocket) MUDDY WORKS JGH-114-1H

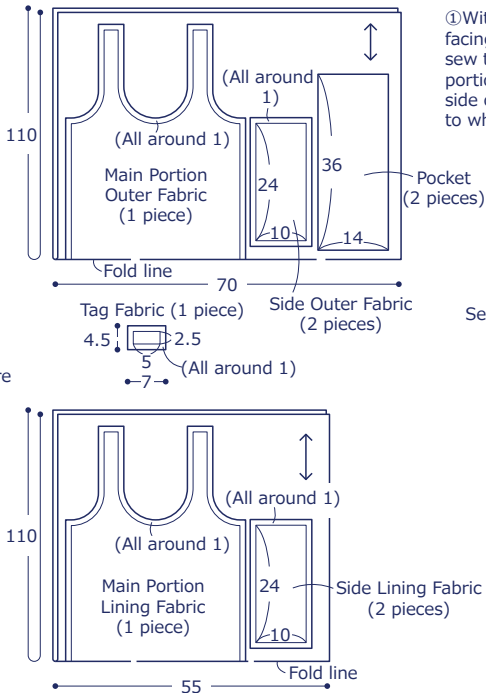
Pattern

Unit: Centimeters (cm)



Cutting Layout

() : Seam allowance. Raw edge unless seam is specified.



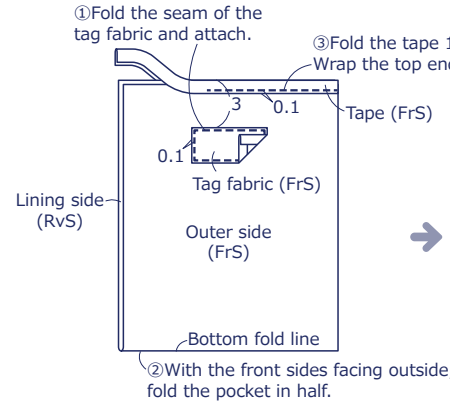
have fun with KOKKA fabric! produced by KOKKA

kokka-fabric.com

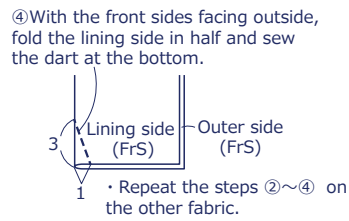
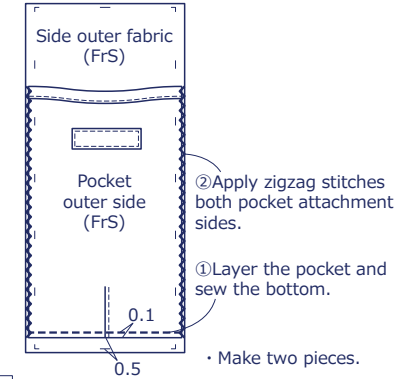
The craft projects and works featured in kokka-fabric.com are strictly for personal use and enjoyment. Please refrain from selling handmade items using the same exact design (including the pieces made in different fabrics) featured in kokka-fabric.com.

Instructions Front Side - (FrS), Reverse Side (RvS)

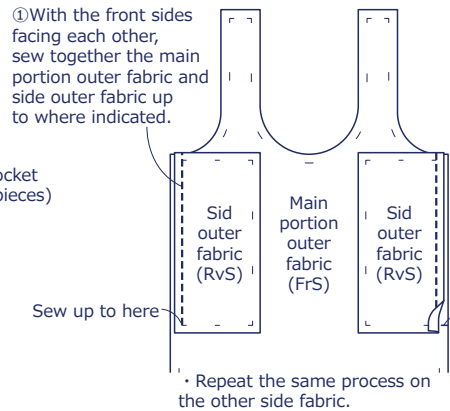
1. Make the pocket



2. Make the side outer fabric



3. Make the outer bag



4. Make the lining bag following the steps in 3

5. Piece together the outer bag and lining bag

