



Crossbody Bag with Fur

Design & work: Satomi Takei

Size: 19cm (l)
20cm (w-bottom) 25cm (w-top)
5cm (d)

have fun with KOKKA fabric! produced by KOKKA

kokka-fabric.com

The craft projects and works featured in kokka-fabric.com are strictly for personal use and enjoyment. Please refrain from selling handmade items using the same exact design (including the pieces made in different fabrics) featured in kokka-fabric.com.

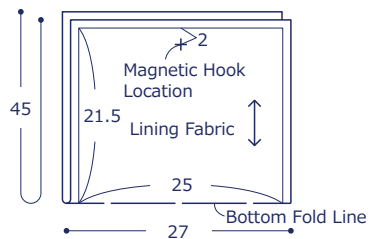
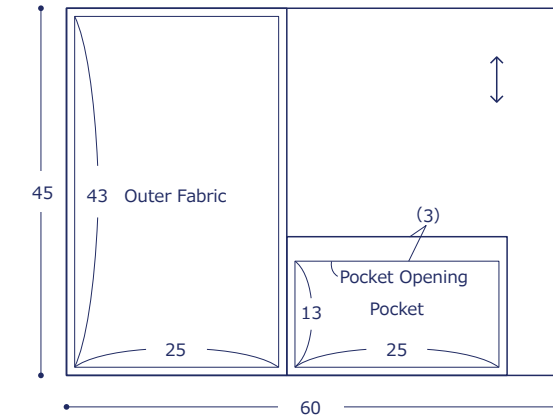
Materials

- Fabric (Outer Fabric · Pocket): 60cm×45cm
(Lining Fabric): 27cm×45cm
- Fusible Interfacing: 27cm×45cm
- Cotton Tape: 3cm wide x 10cm
- Fur Tape: 2.5cm wide x 25cm
- Paracord: 1.3m (0.4cm diameter)
- Magnetic Snap (Hook Type): One pair (1.5cm diameter)
- Button: Three pieces (0.3cm ~ 0.5cm diameter)
- Small Round Bead: Two pieces
- #25 Embroidery Thread

Fabric shown for this sample: (Outer Fabric · Pocket) EKXA-1100-4A

Pattern and Cutting Layout

Unit: Centimeters (cm) Numbers in () denote seam allowance. Adhere fusible interfacing on the back of the outer fabric.



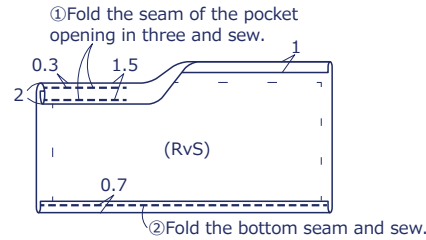
Full-Scale Embroidery Pattern

Embroider in a radial fashion
#25 Embroidery Thread
Use three strands

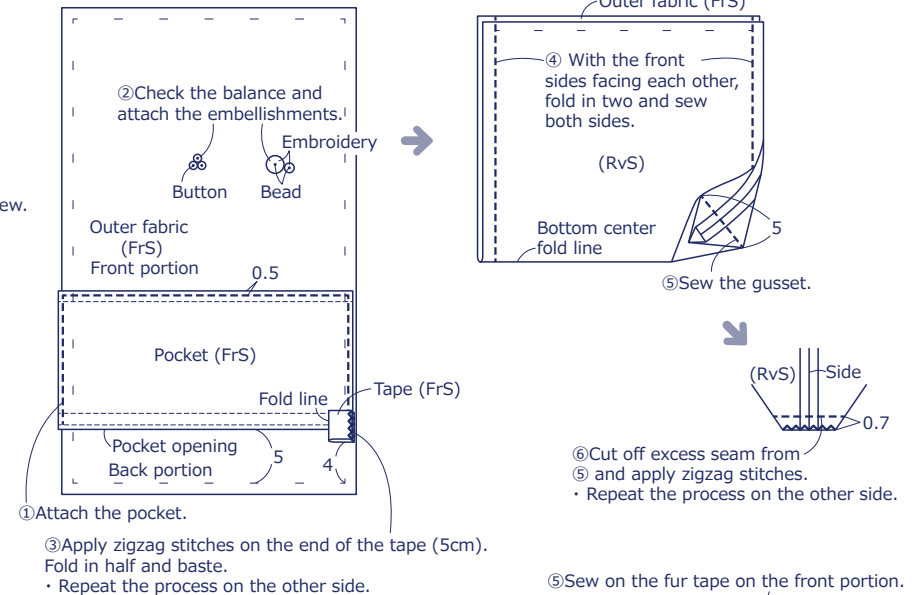


Instructions Front Side - (FrS), Reverse Side (RvS)

1. Make the pocket



2. Make the outer bag

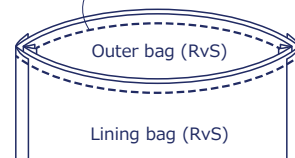


3. Repeat the process for the lining bag following Step 2④~⑥

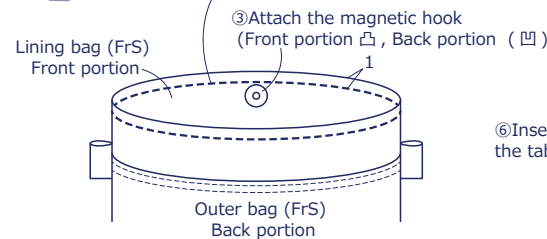
Leave 10cm opening for turning on one side.

4. Finish the bag

① With the front sides facing each other, put together the outer bag and lining bag and sew together at the top opening.



② Turn it inside out and apply stitches around the top opening.



④ Close the opening for turning.

⑥ Insert the paracord through the tab tape and tie a knot.

