



Carpenter Tool Canvas Tote Bag

Design & work: Yui Tamaki

Size: 23cm (l)
32cm (w-at the top)
22cm (bottom)
10cm (d)

have fun with KOKKA fabric! produced by KOKKA

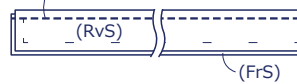
kokka-fabric.com

The craft projects and works featured in kokka-fabric.com are strictly for personal use and enjoyment. Please refrain from selling handmade items using the same exact design (including the pieces made in different fabrics) featured in kokka-fabric.com.

Instructions Front Side - (FrS), Reverse Side (RvS)

1. Make the handles

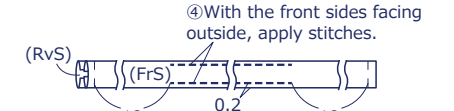
① With the front sides facing each other, sew together the long ends.



② Press the seam from ① open.



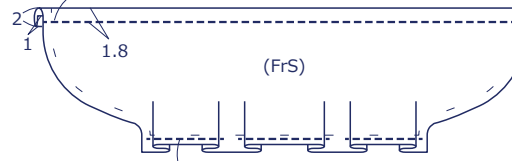
③ Fold the seam of the long ends.



• Make two pieces.

2. Make the pocket

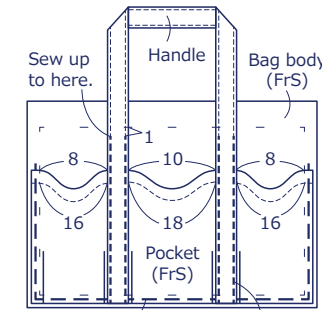
① Fold the seam of the pocket opening in three and sew.



② Fold the tuck and baste.

• Make two pieces.

3. Make the bag body



① Layer the pocket and baste.

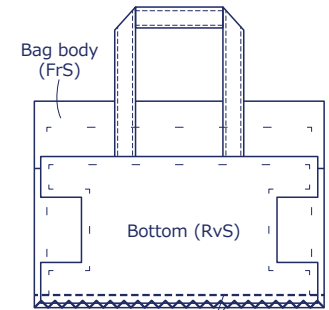
② Attach the handles.

• Make two pieces.



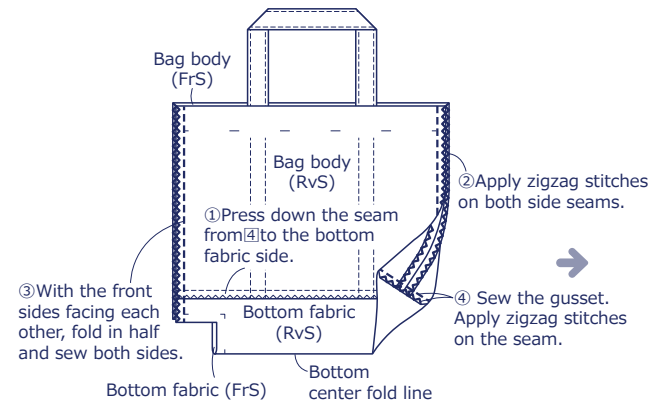
Match the marks on the bag body and folded peak of the pocket tucks.

4. Attach the bottom

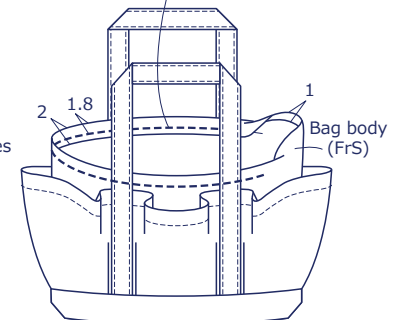


With the front sides facing each other, sew together the bag body and bottom. Apply zigzag stitches on the seam. • Repeat the same process on the other side.

5. Finish the bag



⑤ Turn it inside out. Fold the seam of the top opening in three and apply stitches.



Materials

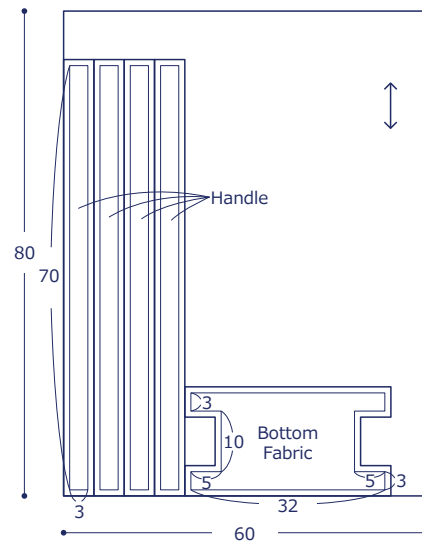
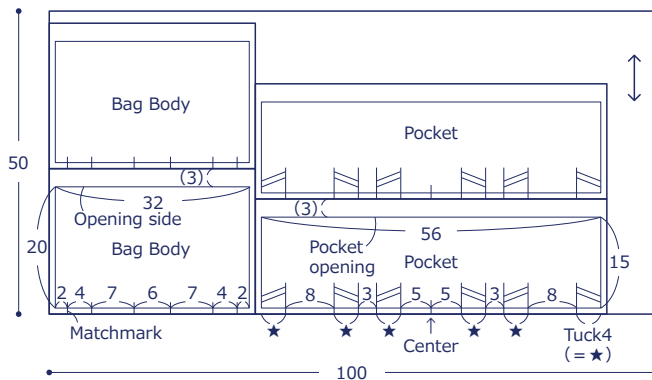
□ Fabric (Bag Body · Pocket): 100cm×50cm
(Bottom Fabric · Handle): 60cm×80cm

Fabric shown for this sample:

(Bag Body · Pocket) YK-530 1A
(Bottom Fabric · Handle) YK-530 1G

Pattern and Cutting Layout

Unit: cm. () denotes seam. 1cm seam unless otherwise stated.



Bottom fabric (FrS) Bottom center fold line