



Big Tote Bag

Design & Work: Kokka Fabric

Size: about 37cm (l)
 about 70cm (w)
 about 28cm
 (Excludes handles)

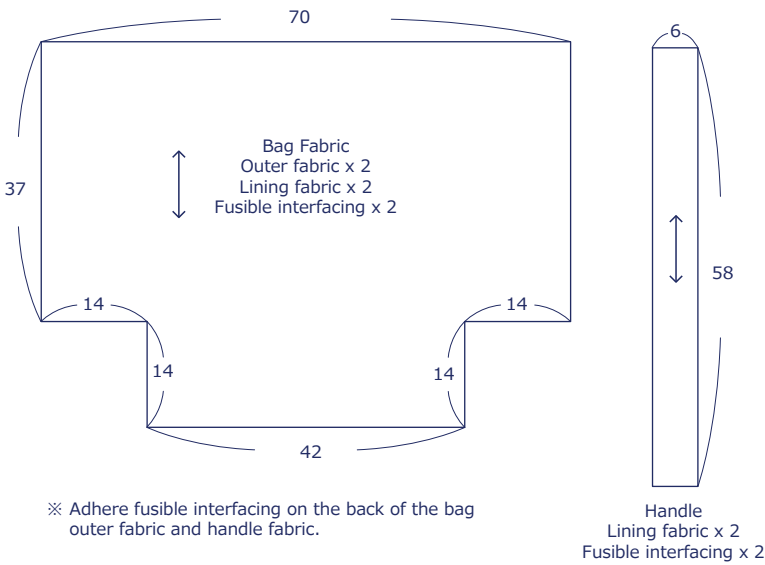
Materials

- Outer Fabric: 110cm wide x 110cm
- Lining Fabric: 110cm wide x 110cm
- Fusible Interfacing (heavy weight): 110cm wide x 110cm

Fabric shown for this sample: CANVAS YK-79080-1A

Pattern

Unit: Centimeters (cm) Add 1cm seam when cutting the fabric.



have fun with KOKKA fabric! produced by KOKKA

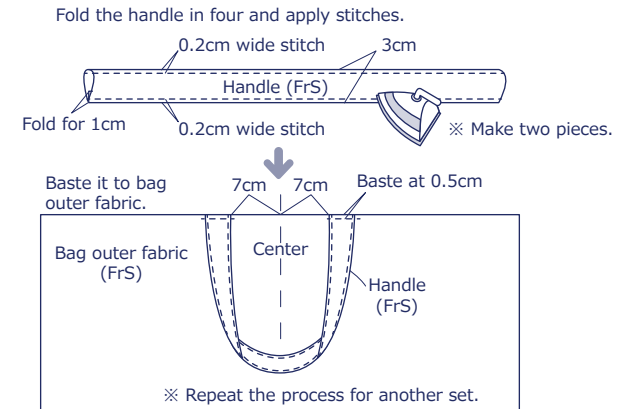
kokka-fabric.com

The craft projects and works featured in kokka-fabric.com are strictly for personal use and enjoyment. Please refrain from selling handmade items using the same exact design (including the pieces made in different fabrics) featured in kokka-fabric.com.

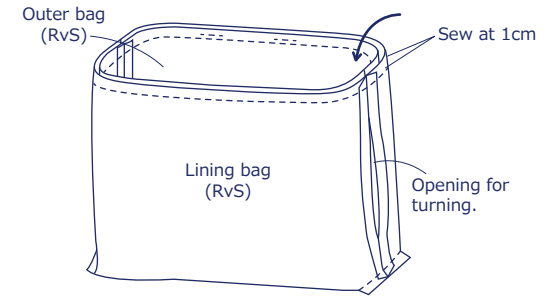
Instructions

Front Side - (FrS), Reverse Side (RvS)

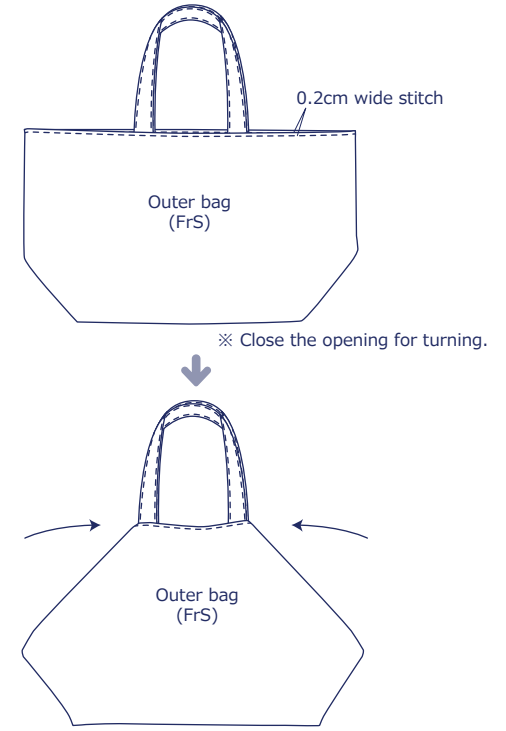
1. Make the handles and baste them on the bag outer fabric



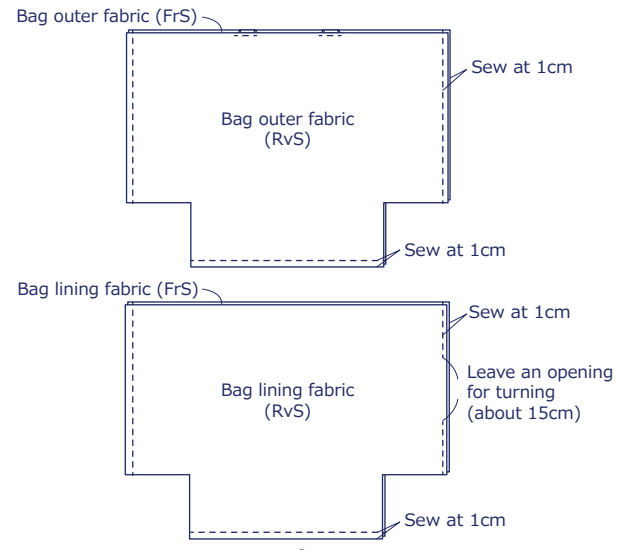
3. With the front sides facing each other, sew together the outer bag and lining bag at the top opening.



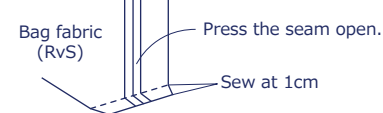
4. Turn it inside out and apply stitches around the top opening



2. With the front sides facing each other, sew together the side, bottom and gusset



<How to sew gusset>



The bottom corners can be tucked inside.