



Gauze Dress

Design & work: Naomi Nohara (Iepolepo)

Size: For 100cm height Back length 58.5cm

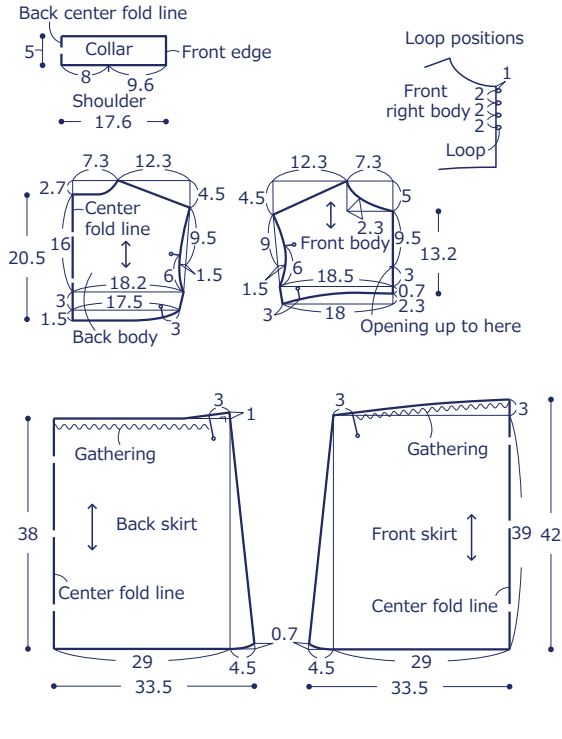
Materials

- Fabric: 108cm wide x 1.4m
- Elastic Tape: 30cm (4-5mm wide, Braid 6 cord)
- Button: Four pieces (11.5mm diameter)

Fabric shown for this sample: Nuno To Mono YK-500-1N

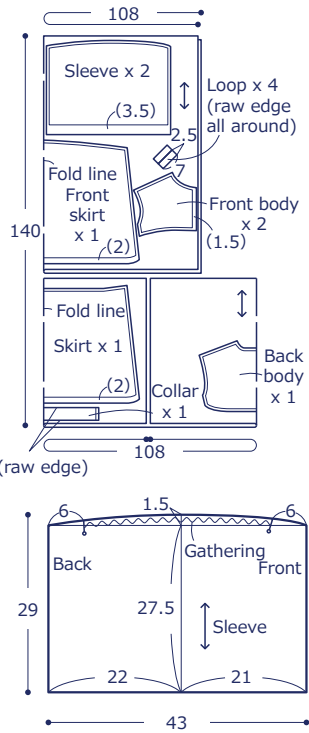
Pattern

Unit cm



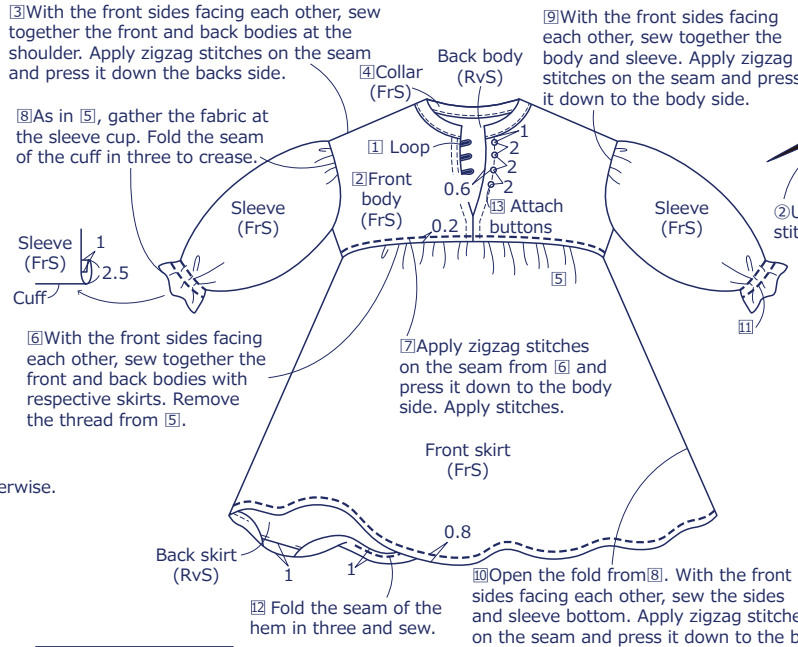
Cutting layout

() denotes seam allowance.
Add 1cm seam unless specified otherwise.

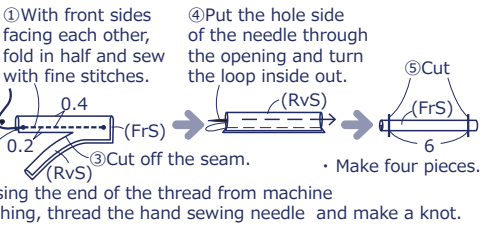


Instructions

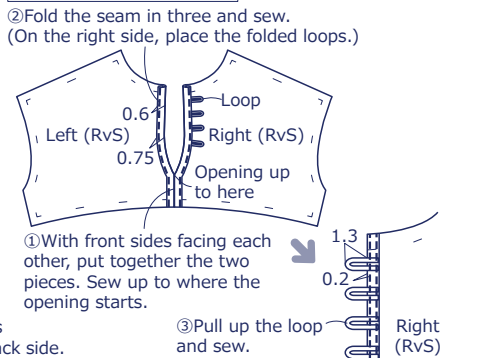
Front Side - (FrS), Reverse Side (RvS)



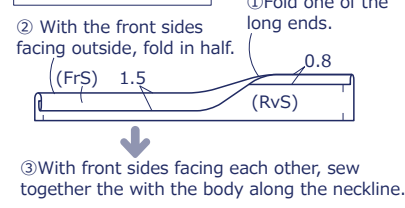
1. Make the loop



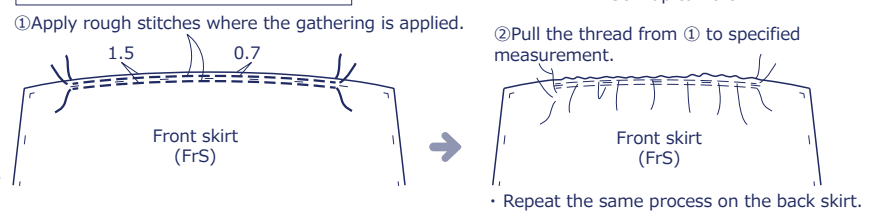
2. Make the front body



4. Attach the collar



5. Make the gathering on the skirt



11. Insert the elastic on the cuff

