



Frilled Drawstring Bag

Design & work: Kokka Fabric

Size: about 25cm(l) x about 18cm (bottom)

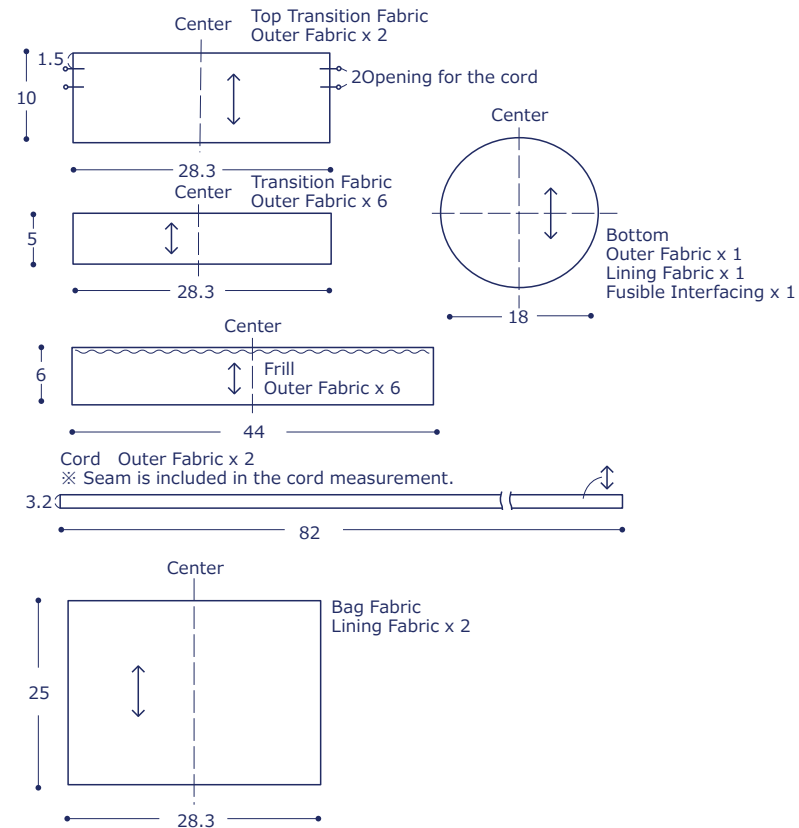
Materials

- Outer Fabric: 110cm wide x 80cm
- Lining Fabric: 110cm wide x 30cm
- Fusible interfacing (heavy weight) 30cm x 30cm

Fabric shown for this sample: YK-79030-1B

Pattern and Cutting Layout

All 1cm seam allowance. Add seam allowance when cutting the fabric.



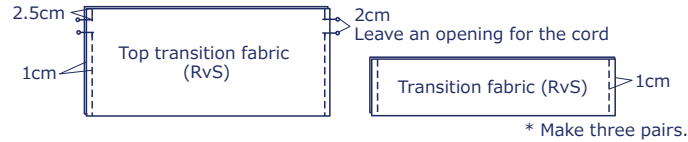
have fun with KOKKA fabric! produced by KOKKA

kokka-fabric.com

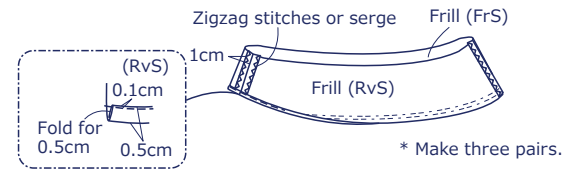
The craft projects and works featured in kokka-fabric.com are strictly for personal use and enjoyment. Please refrain from selling handmade items using the same exact design (including the pieces made in different fabrics) featured in kokka-fabric.com.

Instructions

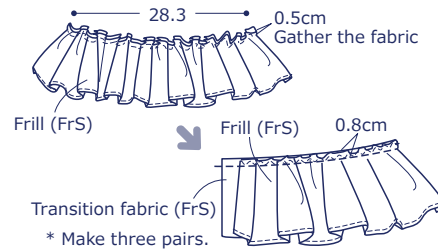
1. With the front sides facing each other, sew together the sides of the top transition fabric and bottom transition fabric respectively



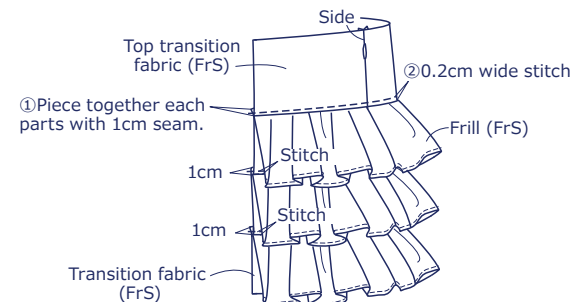
2. Apply zigzag stitches or serge the sides of the frills. Sew the sides and fold the hem in three and stitch



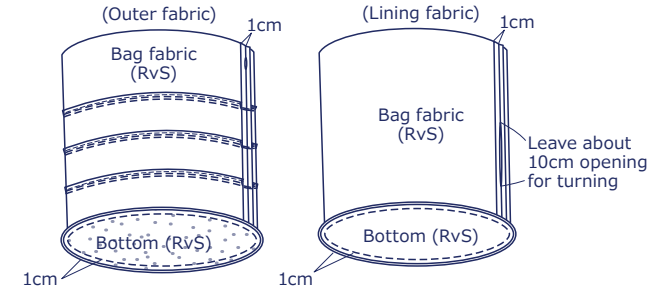
3. Apply rough stitches on the frill to gather the fabric. Baste it to the transition fabric



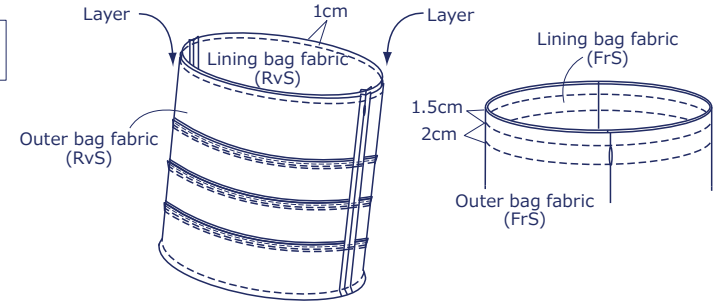
4. Sew together the frill, top transition fabric and transition fabric and apply stitches



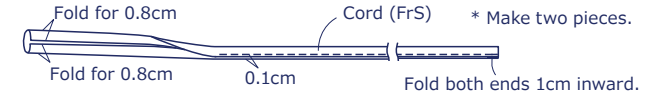
5. Adhere fusible interfacing only on the reverse side of the outer bottom fabric. Sew the sides of the lining fabric. Piece together the outer and lining bag tube portion and bottom respectively



6. With the front sides facing each other, sew together the outer bag fabric and lining bag fabric at the top opening. Turn it inside out and apply stitches around the opening.



7. Make the cord



8. Insert the cord. Close the opening for turning and complete

