



Notebook Cover

Design & work: Ayumi Yatsuda

Size: 19cm (l)
13.5cm (w-when closed)

have fun with KOKKA fabric! produced by KOKKA

kokka-fabric.com

The craft projects and works featured in kokka-fabric.com are strictly for personal use and enjoyment. Please refrain from selling handmade items using the same exact design (including the pieces made in different fabrics) featured in kokka-fabric.com.

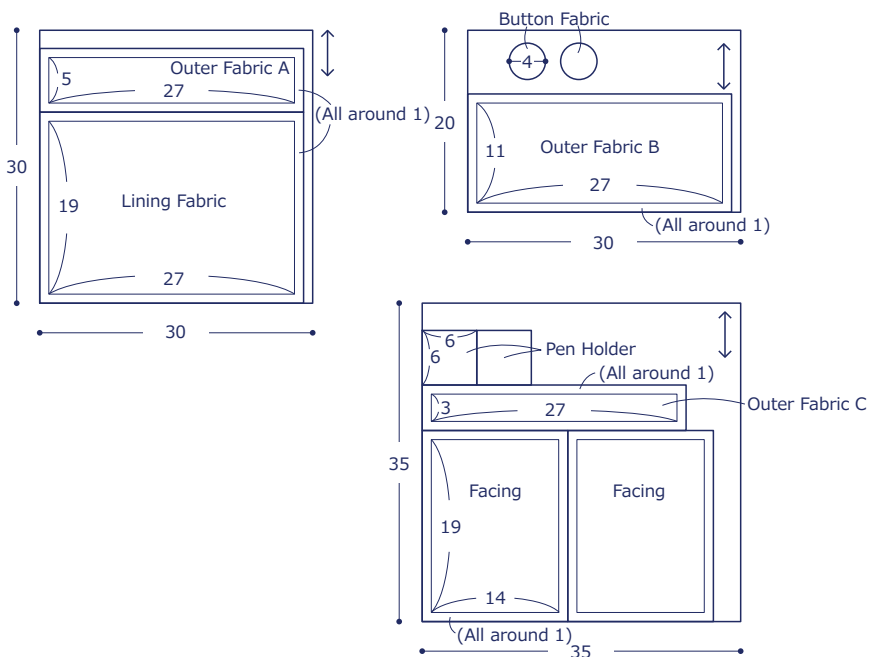
Materials

- Fabric (Outer Fabric A, Lining Fabric): 30cm x 30cm
(Outer Fabric B, Button Fabric): 30cm x 20cm
(Outer Fabric C, Facing, Pen Holder): 35cm x 35cm
- Rick Rack Tape: 80cm (0.3cm wide)
- Fusible Quilt Batting (light weight): 27cm x 19cm
- Fusible Interfacing (light weight): 12cm x 2.5cm
- Core for Fabric Wrapped Button: Two pieces (2.4cm diameter)
- #25 Embroidery Thread

Fabric shown for this sample: (Outer Fabric A, Lining Fabric) LOA-59020-2D
(Outer Fabric B, Button Fabric) LOA-59020-1A

Pattern and Cutting Layout

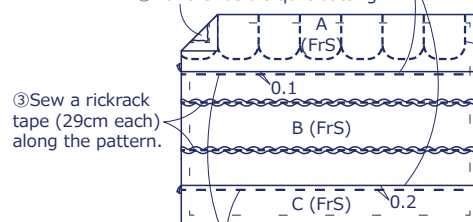
Unit cm () denotes seam allowance. Raw edge unless specified otherwise.



Instructions Front Side - (FrS), Reverse Side (RvS)

1. Make the outer fabric

- ① With the front sides facing each other, sew together the outer fabrics A, B and C.
- ② Adhere fusible quilt batting.



- ③ Sew a rickrack tape (29cm each) along the pattern.

- ④ Apply running stitches. (Three strands of embroidery thread)

2. Make the pen holder

- ① With the front sides facing each other, fold in half and sew.
- ② Turn it over. Place the seam from ① into the center.

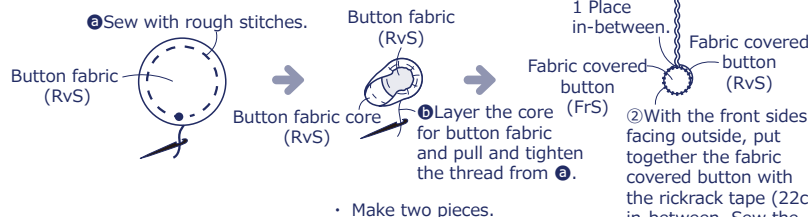


- ③ Place the fusible interfacing (6cm x 2.5cm) inside and iron to adhere.

- ④ Fold in half. • Make two pieces.

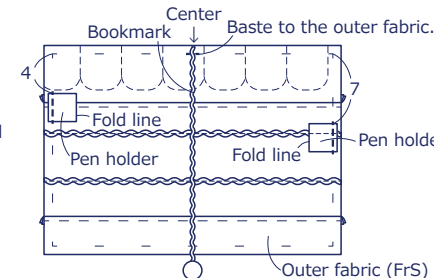
3. Make the bookmark

- ① Make the fabric covered button.



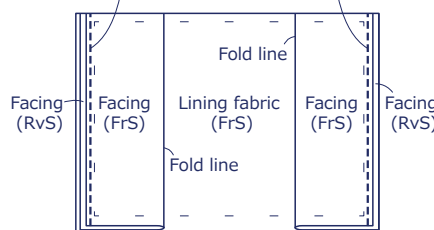
- Make two pieces.

4. Attach the bookmark and pen holder



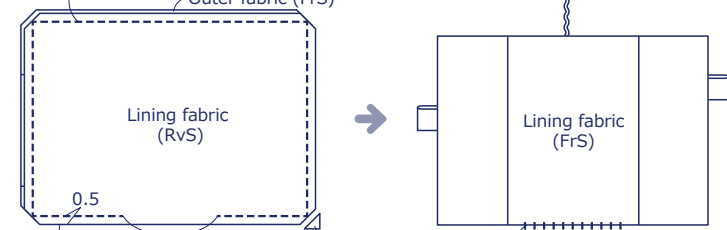
5. Attach the facing

- With the front sides facing outside, fold the facing in half and baste.



6. Finish the cover

- ① With the front sides facing each other, sew together the outer and lining fabrics, leaving an opening for turning.



- ② Cut off excess seam.
- ③ Cut off corner seam.

- ④ Turn it over. Fold in the seam of the opening and sew to close.