



# Reusable Bag (Eco Bag) for Men

Design & Work: Yui Tamaki

Size: 30cm (l) 26cm (w) 12cm (d)

have fun with KOKKA fabric! produced by KOKKA

[kokka-fabric.com](http://kokka-fabric.com)

The craft projects and works featured in kokka-fabric.com are strictly for personal use and enjoyment. Please refrain from selling handmade items using the same exact design (including the pieces made in different fabrics) featured in kokka-fabric.com.

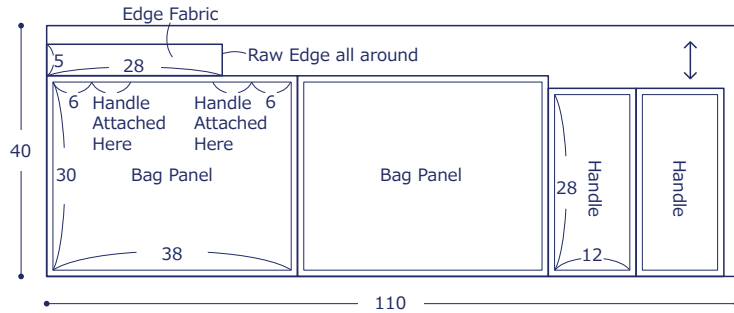
## Materials

- Fabric: 100cm wide x 40cm
- Paracord: 50cm (0.4cm diameter)
- Cord Stopper: One piece (with two holes)
- Tag of your choice

Fabric shown for this sample: LGA-39090-1A

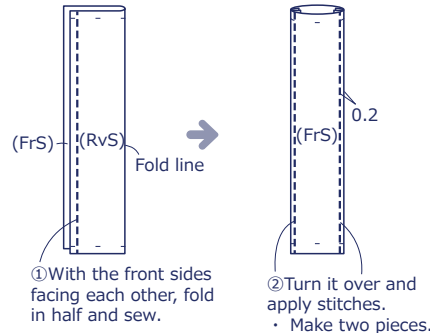
## Pattern and Cutting Layout

Unit: Centimeters (cm) Seam Allowance - 1cm unless specified otherwise

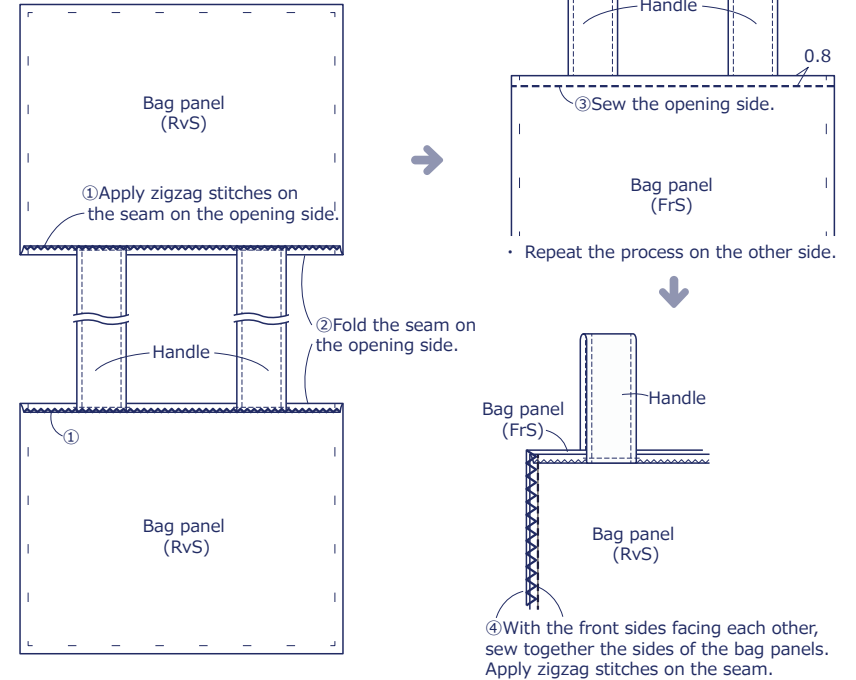


## Instructions Front Side - (FrS), Reverse Side (RvS)

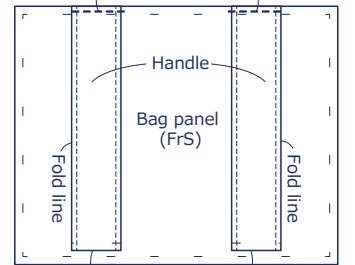
### 1. Make the handles



### 2. Make the bag panel



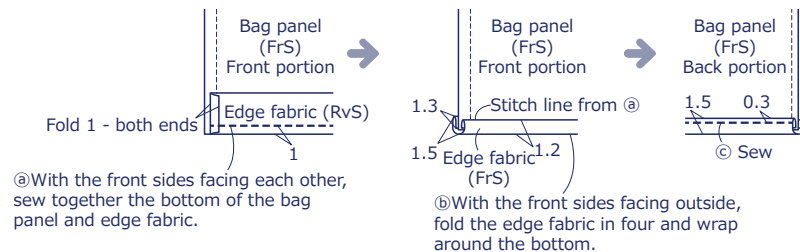
### 3. Baste the handle to the bag panel.



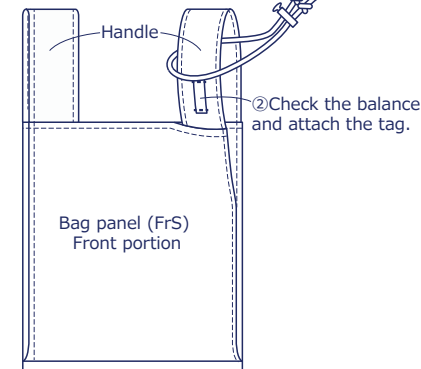
④ As in process ③, baste the edge of the piece to the other outer fabric.

### 3. Finish the bag

① Attach the edge fabric on the bottom.



③ Insert the Paracord through the handle. Put through the cord stopper and tie the ends.



⑤ Turn it inside out and fold the gusset.

