



Shopping Bag with Shoulder Strap

Design & work: Mioko Sugino

Size: 35cm (l) 40cm (w) 10cm (d)

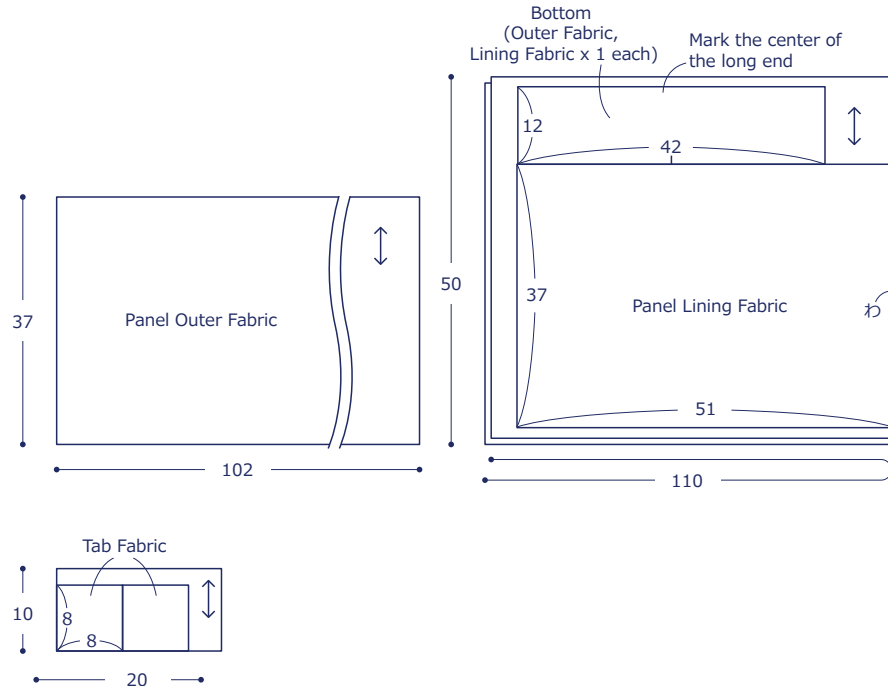
Materials

- Fabric (Panel Outer Fabric): 102cm x 37cm
(Panel Side Lining Fabric, Bottom Fabric): 110cm wide x 50cm
(Tab Fabric): 20cm x 10cm
- Bag Tape: 143cm (3cm wide)
- D Ring: Two pieces (2cm inner diameter)
- Swivel Lobster Clasp: Two pieces (3cm inner diameter)

Fabric shown for this sample: (Panel Outer Fabric) echino EKX-97100-102C

Pattern and Cutting Layout

Unit: cm. All raw edge.



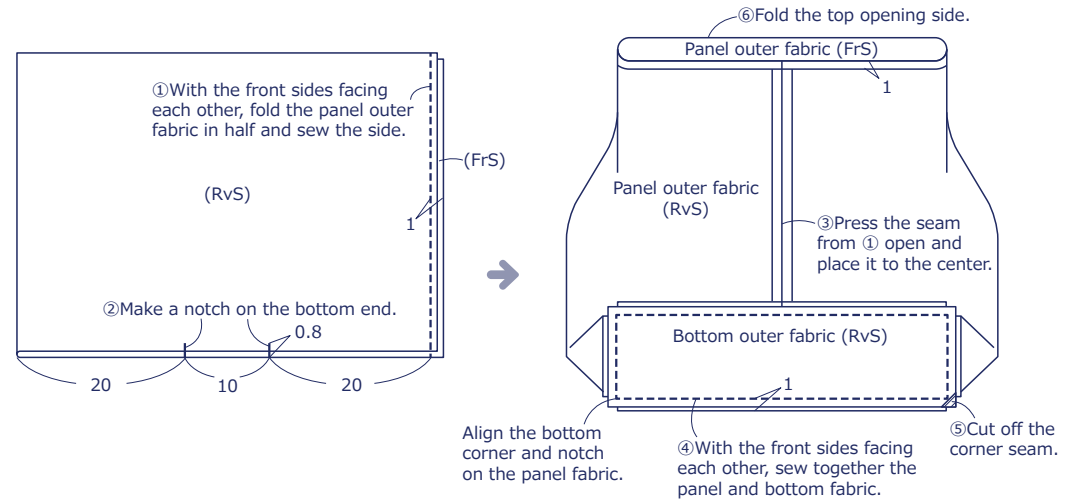
have fun with KOKKA fabric! produced by KOKKA

kokka-fabric.com

The craft projects and works featured in kokka-fabric.com are strictly for personal use and enjoyment. Please refrain from selling handmade items using the same exact design (including the pieces made in different fabrics) featured in kokka-fabric.com.

Instructions Front Side - (FrS), Reverse Side (RvS)

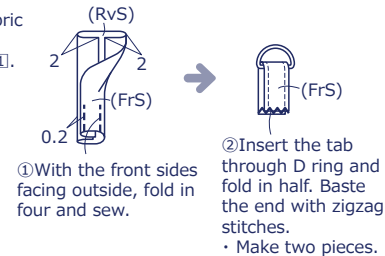
1. Make the outer bag



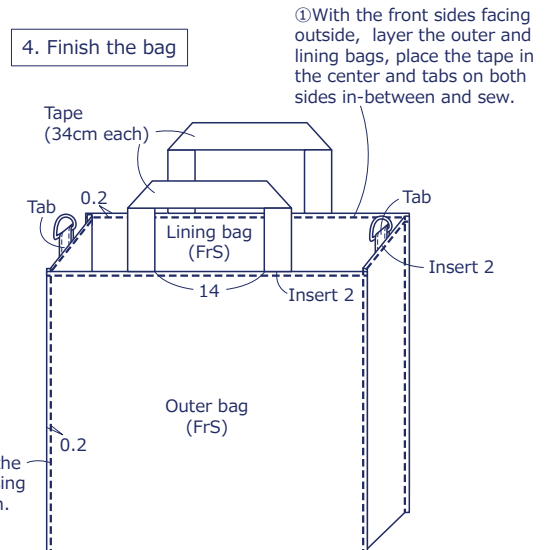
2. Make the lining bag

Using the panel lining fabric and bottom lining fabric, follow the process as in 1.

3. Make the tab

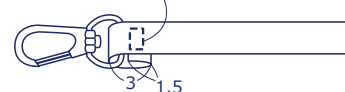


4. Finish the bag



5. Make the shoulder strap

① Insert the tape (75cm) through swivel lobster clasp. Fold in three and sew.



• Repeat the process on the other side.

② Hook it to the D ring on the tab.