



Tiered Dress

Design & work: Naomi Nohara (lepolepo)

Size: For 130cm height Back length 75cm

have fun with KOKKA fabric! produced by KOKKA

kokka-fabric.com

The craft projects and works featured in kokka-fabric.com are strictly for personal use and enjoyment. Please refrain from selling handmade items using the same exact design (including the pieces made in different fabrics) featured in kokka-fabric.com.

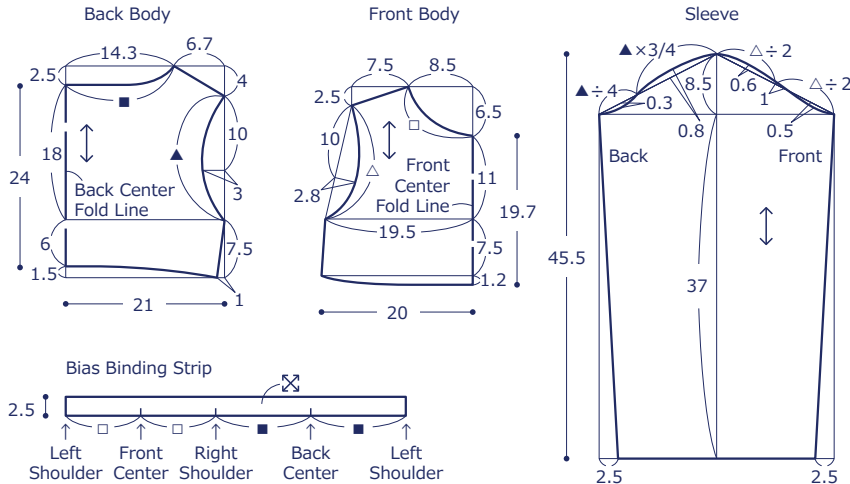
Materials

- Fabric: 110cm wide x 2m
- Elastic Tape: 70cm (Braid 8 cord)

Fabric shown for this sample: +HAyU fabric EGX-7702-3B

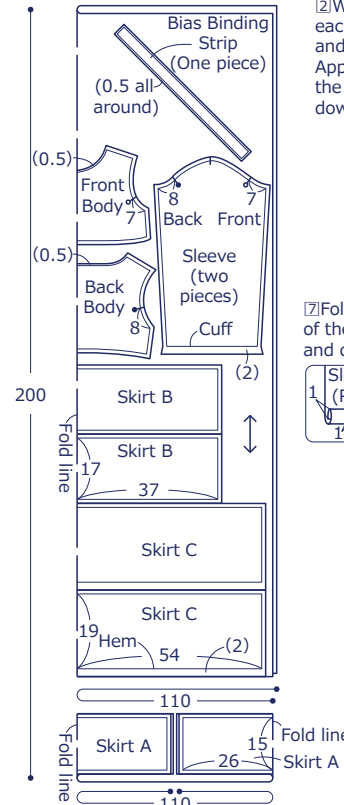
Pattern & Cutting Layout

Unit: cm



Cutting Layout

() denotes seam allowance. 1cm unless otherwise specified.



Instructions

- ① Make the bias binding strip. (FrS)
 - ① With the front sides facing each other, fold in half and sew the short end.
- ② Press the seam from ① open and fold in half with the front sides facing outside. (FrS)
- ③ Attach the bias binding strip and sew the back neckline. (FrS)
- ④ Sew the front neckline. (FrS)
- ⑤ Make the gathering on the skirt.
 - ① Apply rough stitches at the top end.
- ⑥ With the front sides facing each other, sew together the body and skirts, starting with skirt A ⑤, followed by skirt B ⑥ then skirt C ⑥. Apply zigzag stitches on the seam. Press it down to the body side and apply stitches. (FrS)
- ⑦ Fold the seam of the cuff in three and crease. (RvS)
- ⑧ Sew the cuff.
 - ② Insert the elastic tape (18cm each) and sew.
- ⑨ Open the crease from [7]. With the front sides facing each other, piece together the front and back, sewing under the sleeve and side. Apply zigzag stitches on the seam and press it down to the back. (RvS)
- ⑩ Flip the bias binding strip to the lining side and sew the back.
 - ③ Insert the elastic tape (25cm) and pull it to the final measurement (19cm) and sew to secure.
 - ③ Close the opening for elastic.

• Make two pieces each for A, B and C.