



Baby's Dress

Design & work: Aiko Hada

Size: For 80cm height Back length 40.6cm

have fun with KOKKA fabric! produced by KOKKA

kokka-fabric.com

The craft projects and works featured in kokka-fabric.com are strictly for personal use and enjoyment. Please refrain from selling handmade items using the same exact design (including the pieces made in different fabrics) featured in kokka-fabric.com.

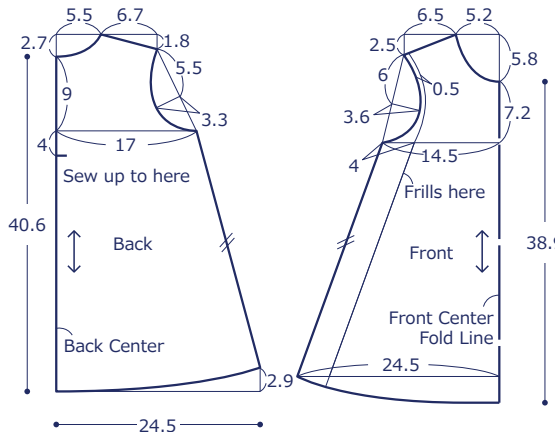
Materials

- Fabric: 108cm wide x 1m
- Stay Tape: 1.5m (0.6cm wide)
- Cord: 8cm (0.2cm diameter)
- Ribbon: 30cm (0.6cm wide)
- Button: Two pieces (1.1cm diameter)

Fabric shown for this sample: YKA-81070-2A

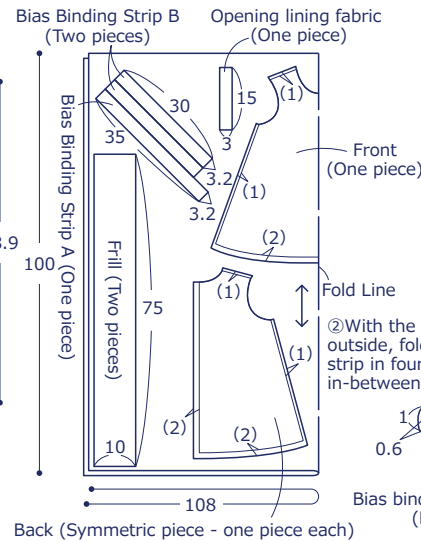
Pattern

Unit: cm



Cutting Layout

() denotes seam allowance.
Raw edge unless specified otherwise.



Instructions

- Attach the stay tape on the neckline, armhole and shoulder.
- Apply zigzag stitches on the shoulder seam.
- With the front sides facing each other, sew together the back left and opening lining fabric with a folded (4cm each) cord in-between. (Avoid back right when sewing)
- With the front sides facing each other, sew together the front and back at the shoulder. Press the seam open.
- Using the bias binding strip, finish the neckline and armhole.
- With the front sides facing each other, sew together the front and back at the sides. Apply zigzag stitches on the seam and press it down to the back side.
- Fold the seam of the hem in three and sew.
- Attach the frills.
- Using a ribbon (15cm each), make a bow and attach.
- With the front sides facing each other, sew together the back two pieces at the back center up to the end of the opening.
- Attach the button.
- Turn over the bias binding strip. Place the seam in-between and sew.
- As in ①, sew the edge of the short end of the fabric.
- Pull the thread from ③ to shorten the piece to match the attachment length. Attach the piece on the front.
- With the front sides facing each other, sew together the back left and opening lining fabric with a folded (4cm each) cord in-between. (Avoid back right when sewing)
- End of the stitch
- Apply rough stitches in the center.