



Box Tissue Case

Design & work: Mioko Sugino

Size: 15cm(l) 23cm(w) 12cm(d)

have fun with KOKKA fabric! produced by KOKKA

kokka-fabric.com

The craft projects and works featured in kokka-fabric.com are strictly for personal use and enjoyment. Please refrain from selling handmade items using the same exact design (including the pieces made in different fabrics) featured in kokka-fabric.com.

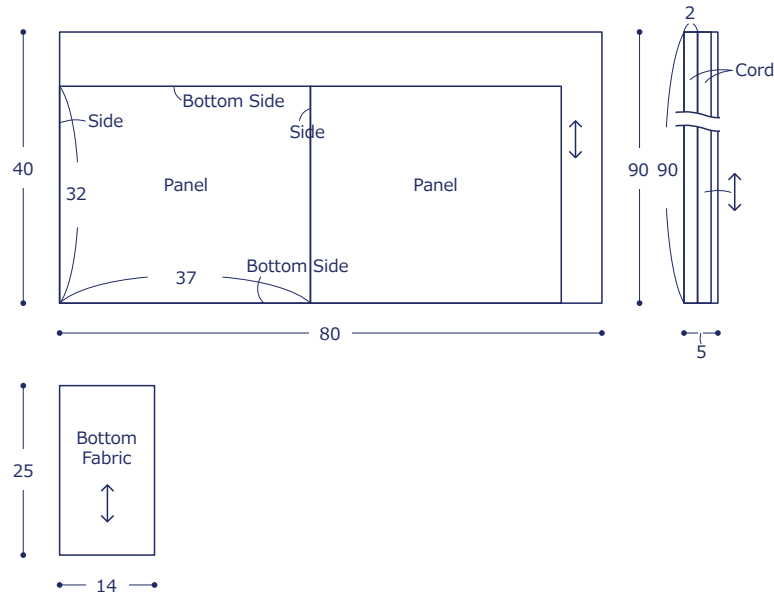
Materials

- Fabric (Panel): 80cm×40cm
- (Bottom Fabric (Canvas)): 14cm×25cm
- (Cord): 5cm×90cm

Fabric shown for this sample: EKX-126-1C

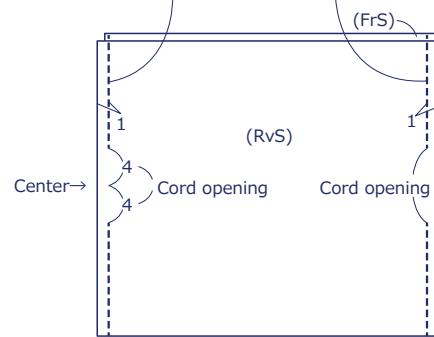
Pattern and Cutting Layout

Unit: cm. All raw edge.

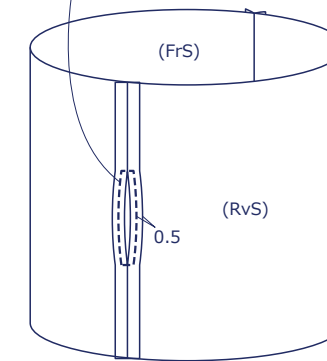


1. Make the panel

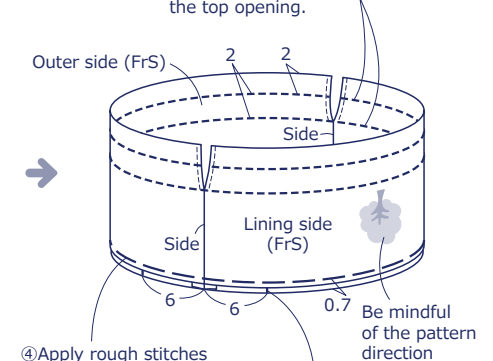
① With the front sides facing each other, align the top and bottom pattern directions. Sew together at the sides, leaving an opening for the cord.



② Press the seam from ① open. Apply stitches around the cord opening.
• Make two openings.



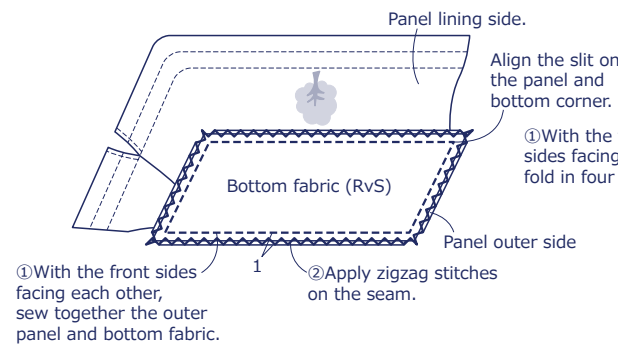
③ With the front sides facing outside, fold in half and apply stitches around the top opening.



④ Apply rough stitches on the bottom side.

⑤ Cut a slit.
• Repeat the same process on the other side.

2. Attach the bottom fabric



3. Make the cord and insert

