



Clutch Bag

Design & work: Kokka Fabric

Size: about 32cm (l-unfolded)
about 27cm (w)
(excludes a handle)

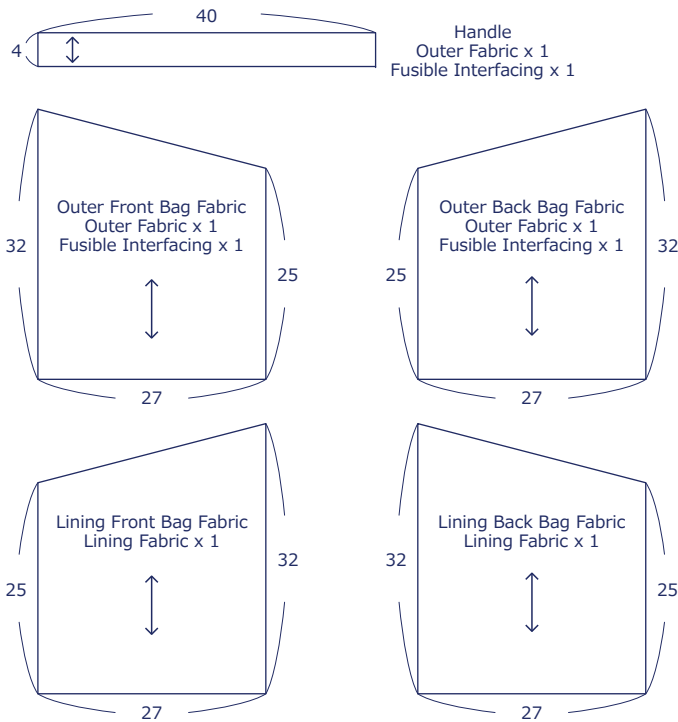
Material

- Outer Fabric: about 110cm wide x 40cm
- Lining Fabric: about 110cm wide x 40cm
- Fusible Interfacing (Heavy weight): about 110cm wide x 40cm
- Zipper: 30cm – Once piece

Fabric shown for this sample: LGA-41030-2A

Pattern

Unit: cm Add 1cm seam allowance when cutting the fabric.



※ Adhere fusible interfacing on the back of the outer fabrics.

have fun with KOKKA fabric! produced by KOKKA

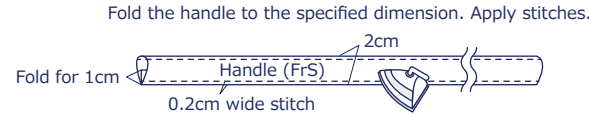
kokka-fabric.com

The craft projects and works featured in kokka-fabric.com are strictly for personal use and enjoyment. Please refrain from selling handmade items using the same exact design (including the pieces made in different fabrics) featured in kokka-fabric.com.

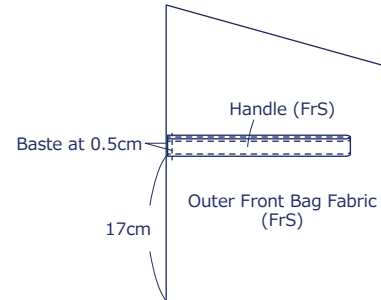
Instructions

Front Side - (FrS), Reverse Side - (RvS)

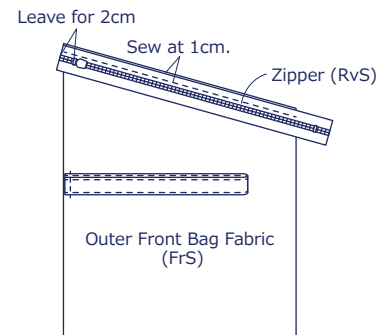
1. Make the handle and baste it to outer front bag fabric



Fold in half and baste.

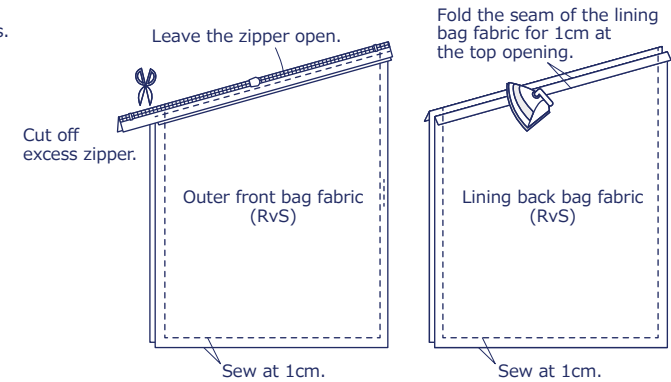


2. With the front sides facing each other, sew together the outer bag fabric and zipper



※ Repeat the same process for outer back bag fabric.

3. With the front sides facing each other, sew together the bag fabrics at the sides and bottom



4. With the front sides facing outside, put together the outer bag fabric and lining bag fabric. Sew together the top opening of the lining bag fabric and zipper, using blind stitches



5. Turn the bag inside out and align the shape to finish

