



# Shopping Bag

Design & Work: Ayumi Toda

Size: 35cm (l) 38cm (w-at opening)  
28cm (bottom)  
10cm (d)

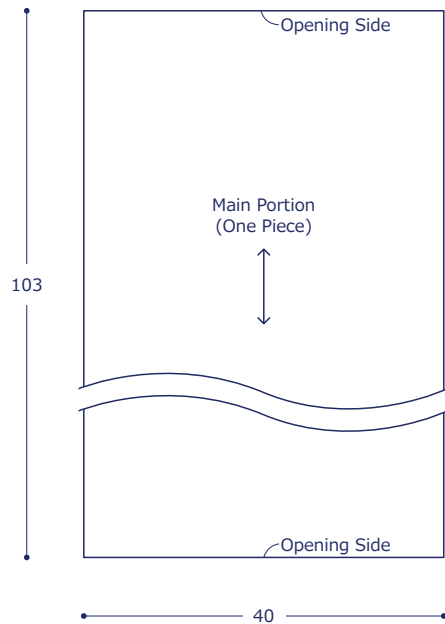
## Materials

- Fabric: 40cm x 103cm
- Acrylic Twilled Tape: 72cm (3.8cm wide)
- Cotton Twilled Tape: 2m (1.5cm wide)
- Rectangle Rings: Two pieces (4cm inner diameter)

Fabric shown for this sample: tayoutou EKX-5120-4A

## Pattern and Cutting Layout

Unit: Centimeters (cm) All raw edge



have fun with KOKKA fabric! produced by KOKKA

[kokka-fabric.com](http://kokka-fabric.com)

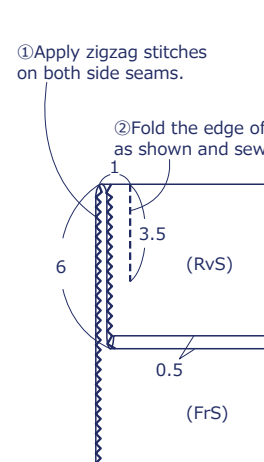
The craft projects and works featured in kokka-fabric.com are strictly for personal use and enjoyment. Please refrain from selling handmade items using the same exact design (including the pieces made in different fabrics) featured in kokka-fabric.com.

## Instructions Front Side - (FrS), Reverse Side (RvS)

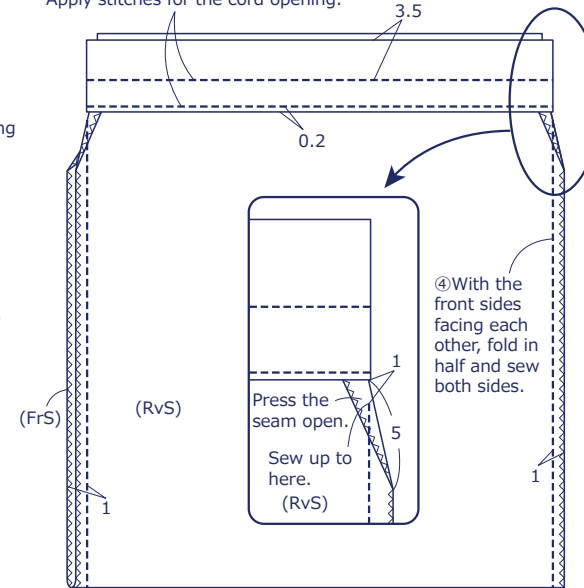
### 1. Make the main portion

① Apply zigzag stitches on both side seams.

② Fold the edge of the top opening as shown and sew both sides.

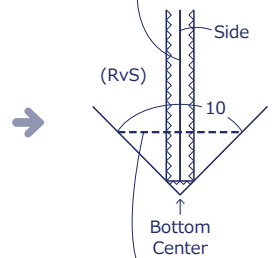


③ Turn over the opening side to the front side. Apply stitches for the cord opening.



④ With the front sides facing each other, fold in half and sew both sides.

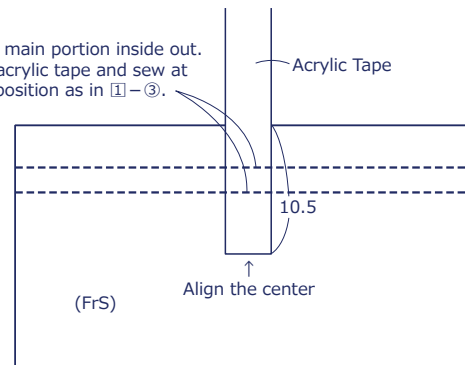
⑤ Press the seam from ③ open.



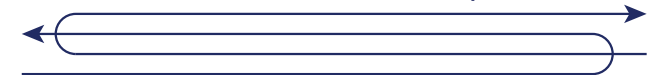
⑥ Fold the bottom corner into a triangle and sew the gusset.  
• Repeat the process on the other side.

### 2. Finish the bag

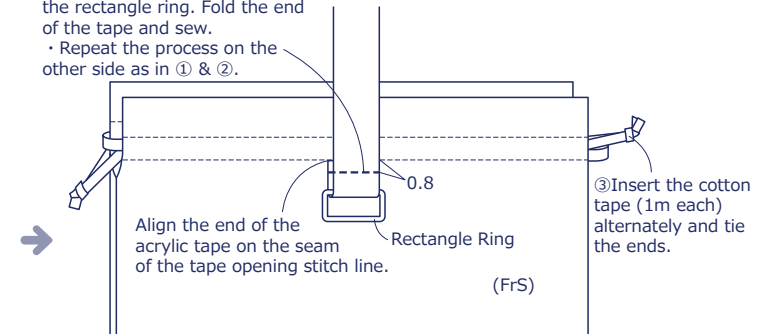
① Turn the main portion inside out. Layer the acrylic tape and sew at the same position as in ①-③.



### How to insert the cotton tape



② Insert the acrylic tape through the rectangle ring. Fold the end of the tape and sew.  
• Repeat the process on the other side as in ① & ②.



③ Insert the cotton tape (1m each) alternately and tie the ends.