



Wide Tote Bag

Design & Work: Kokka Fabric

Size: about 45cm (l)
about 45cm (w)
(Excludes handles)

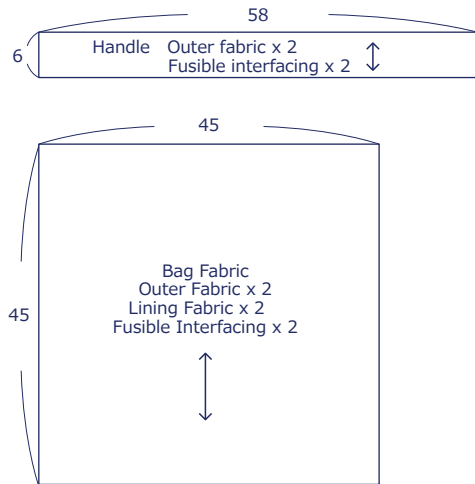
Materials

- Outer Fabric: about 110cm wide x 70cm
- Lining Fabric: about 110cm wide x 50cm
- Fusible Interfacing (heavy weight): about 110cm wide x 70cm

Fabric shown for this sample: YKA-86061-1B

Pattern

Unit: Centimeters (cm) Add 1cm seam when cutting the fabric.

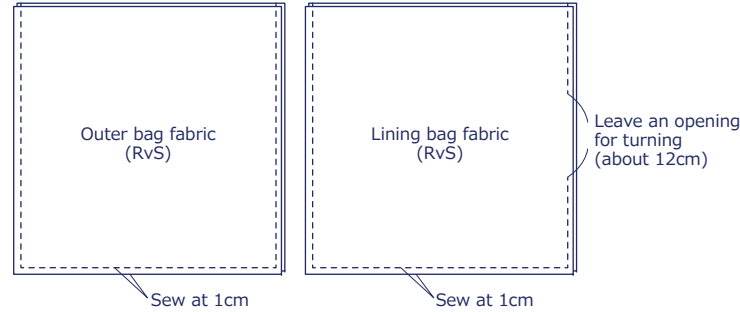


※ Adhere fusible interfacing on the back of the outer bag fabric and handle fabric.

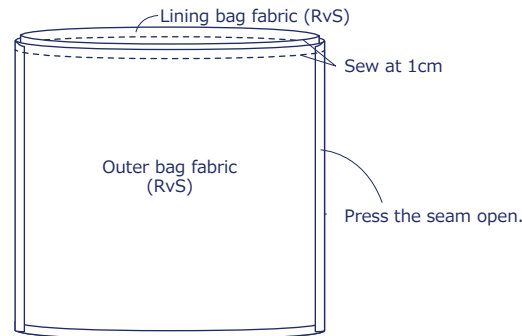
The craft projects and works featured in kokka-fabric.com are strictly for personal use and enjoyment. Please refrain from selling handmade items using the same exact design (including the pieces made in different fabrics) featured in kokka-fabric.com.

Instructions Front Side - (FrS), Reverse Side (RvS)

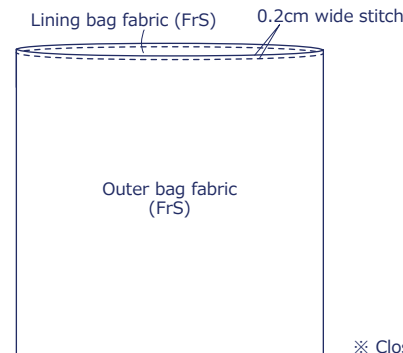
1. With the front sides facing each other, sew together the side and bottom of the bag fabrics



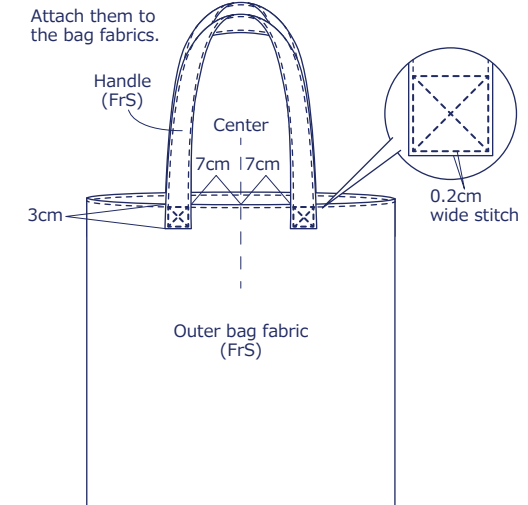
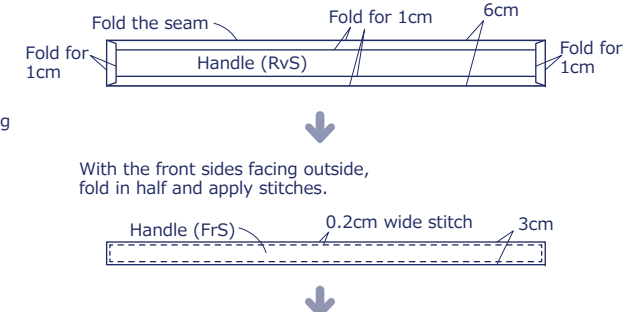
2. With the front sides facing each other, sew together the bag fabrics at the top opening



3. Turn it inside out and apply stitches around the top opening



4. Make the handles and attach them to the bag fabric to finish



※ Close the opening for turning.