



Tote Bag with Frills

Design & work: Kokka Fabric

Size: about 30cm (l)
about 35cm (W)
about 10cm (d)
(excluding handles)

Materials

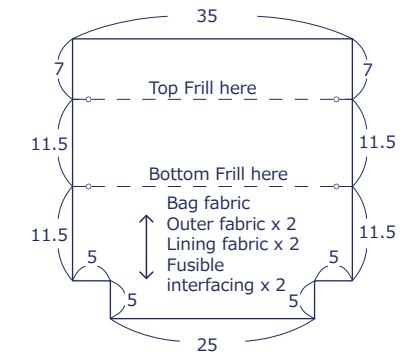
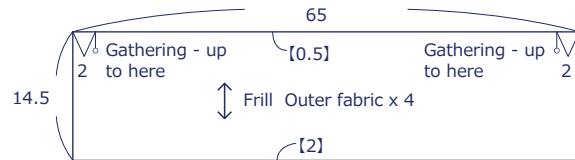
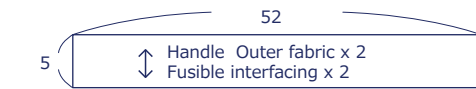
- Outer fabric: about 110cm wide x 90cm
- Lining fabric: about 110cm wide x 40cm
- Fusible Interfacing (Heavy weight) 110cm wide x 50cm

Fabric shown for this sample: LOA-66010-2D

Pattern and Cutting Layout

Unit: Centimeters (cm)

[]: Seam allowance. Add 1cm seam allowances unless otherwise stated.



※ Adhere fusible interfacing on the back of the bag outer fabrics and handles.

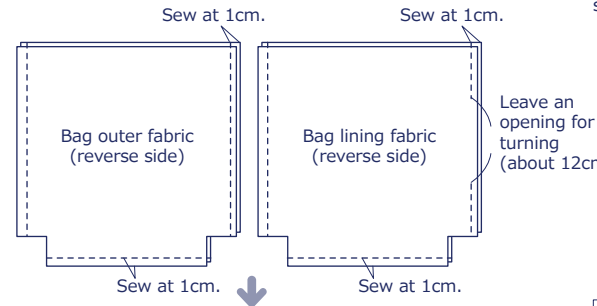
have fun with KOKKA fabric! produced by KOKKA

kokka-fabric.com

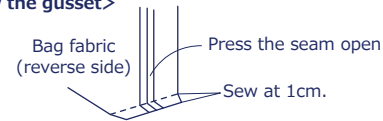
The craft projects and works featured in kokka-fabric.com are strictly for personal use and enjoyment. Please refrain from selling handmade items using the same exact design (including the pieces made in different fabrics) featured in kokka-fabric.com.

Instructions

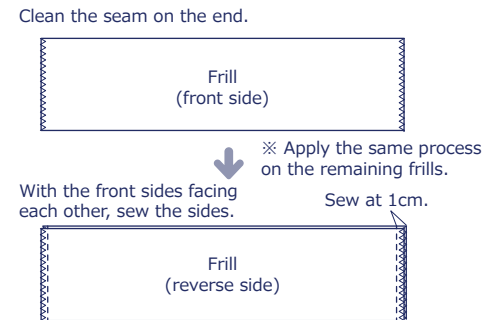
1. With the front sides facing each other, sew together the bag fabrics at the sides, bottom and gusset.



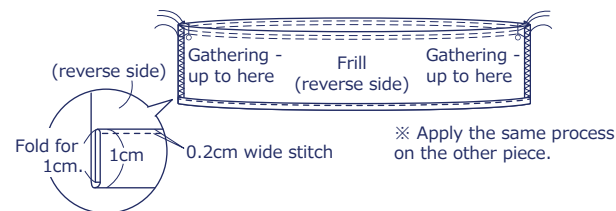
<How to sew the gusset>



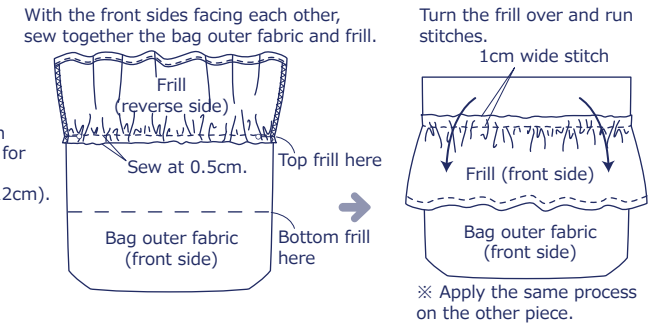
2. Sew two pieces of frills.



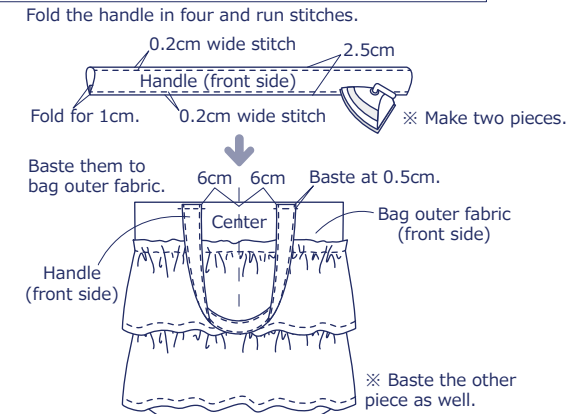
Double fold the hem and run stitches. Gather the fabric.



3. Attach the frill to bag outer fabric.



4. Make the handles. Baste them to bag outer fabric.



5. With the front sides facing each other, sew together the bag outer fabric and bag lining fabric at the top opening. Turn it inside out and apply stitches around top opening.

