



Insulated Drawstring Bag

Design & work: Yui Tamaki

Size: 22cm (l-excludes opening fabric)
 22cm (w-opening side)
 14cm (bottom)
 8cm (d)

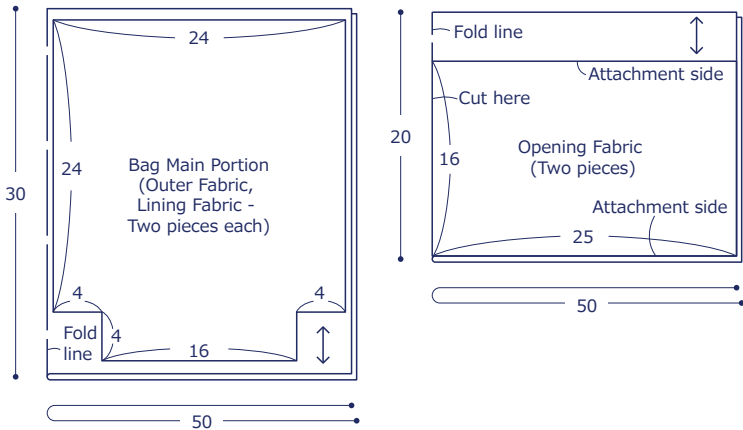
Materials

- Fabric (Bag Main Outer Portion): 50cm×30cm
 (Opening Fabric): 50cm×20cm
- Insulation Sheet (Main Lining Portion): 50cm×30cm
- Bag Handle Tape: 45cm (4cm wide)
- Cord: 1.3m (0.4cm diameter)

Fabric shown for this sample: EGX-7702-1F

Pattern and Cutting Layout

Unit: cm All raw edge



have fun with KOKKA fabric! produced by KOKKA

kokka-fabric.com

The craft projects and works featured in kokka-fabric.com are strictly for personal use and enjoyment. Please refrain from selling handmade items using the same exact design (including the pieces made in different fabrics) featured in kokka-fabric.com.

Instructions Front Side - (FrS), Reverse Side (RvS)

