



Clutch Bag

Design & work: Kokka Fabric

Size: about 36cm (l-unfolded)
about 30cm (w)
about 4cm (d)

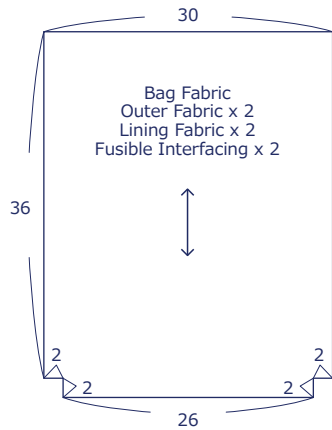
Material

- Outer Fabric: about 110cm wide x 50cm
- Lining Fabric: about 110cm wide x 50cm
- Fusible Interfacing (Heavy weight): about 110cm wide x 50cm
- Clutch Handle One pair

Fabric shown for this sample: YPA-26020-2B

Pattern

Unit: cm Add 1cm seam allowance when cutting the fabric.



※ Adhere fusible interfacing on the back of the bag outer fabrics.

have fun with KOKKA fabric! produced by KOKKA

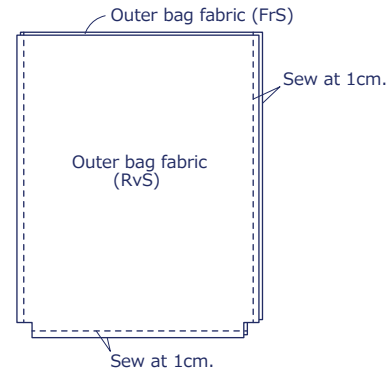
kokka-fabric.com

The craft projects and works featured in kokka-fabric.com are strictly for personal use and enjoyment. Please refrain from selling handmade items using the same exact design (including the pieces made in different fabrics) featured in kokka-fabric.com.

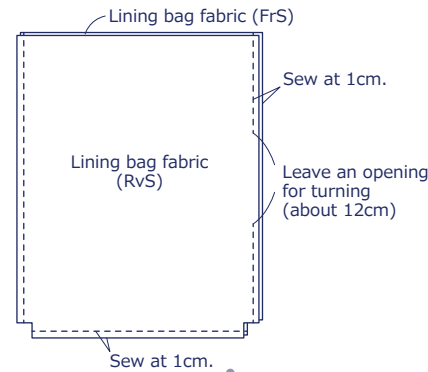
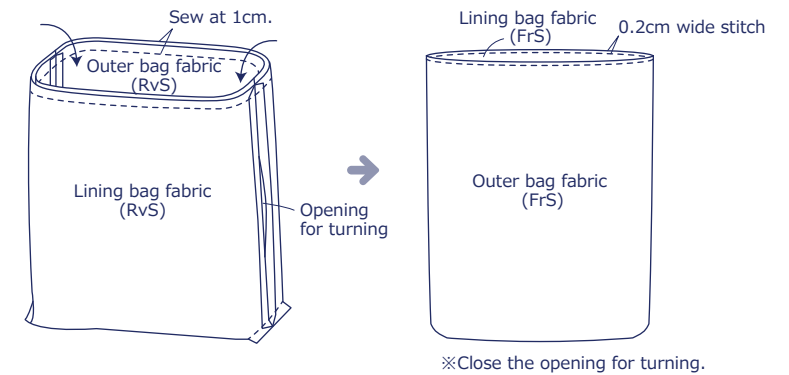
Instructions

Front Side - (FrS), Reverse Side - (RvS)

1. With the front sides facing each other, sew together the bag fabrics at the sides, bottom and gusset



2. With the front sides facing each other, sew together the outer bag and lining bag at the top opening. Turn it inside out and apply stitches around the bag opening

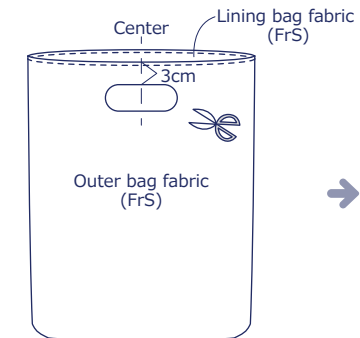
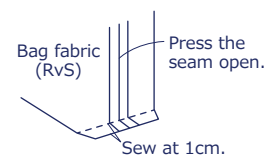


3. Attach the clutch handle to finish

Cut out a hole where clutch handle is attached.

Attach the clutch handle.

<How to sew gussets>



※For detailed instructions, please refer to the instructions that come with the clutch handle.

※Repeat the same process and attach the handle on the other side.