



Square Lunch Tote Bag

Design & work: Kokka Fabric

Size: about 32cm (l)
about 32cm (W)
about 20cm (d)
(excluding handles)

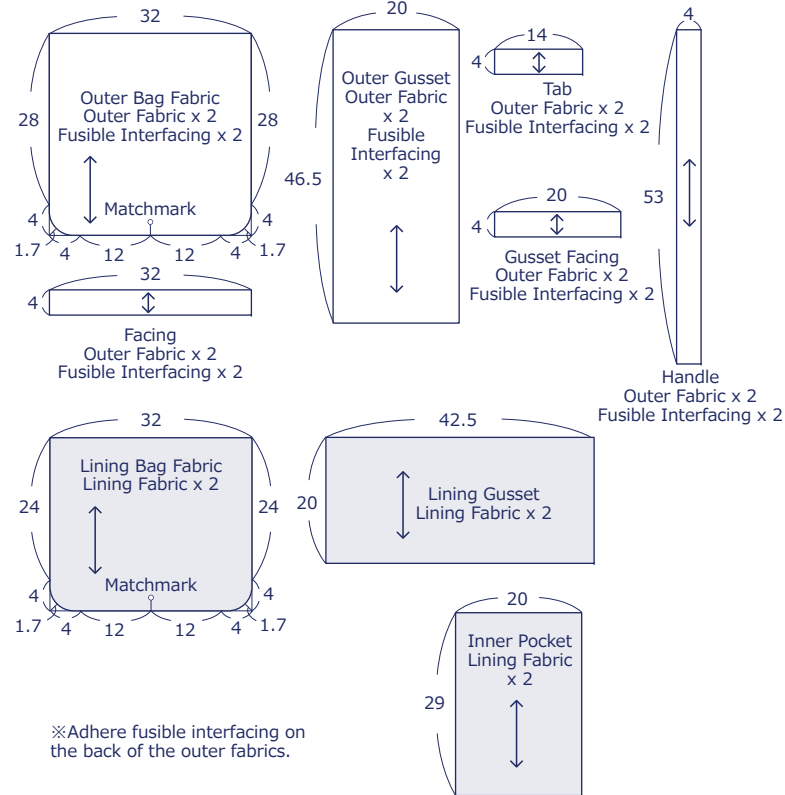
Materials

- Outer Fabric: about 110cm wide x 80cm
- Lining Fabric: about 110cm wide x 70cm
- Fusible Interfacing (heavy weight): about 110cm x 80cm
- Magnetic Hook (insert type): about 15mm wide x One pair

Fabric shown for this sample: LGA-46080-1D

Pattern and Cutting Layout

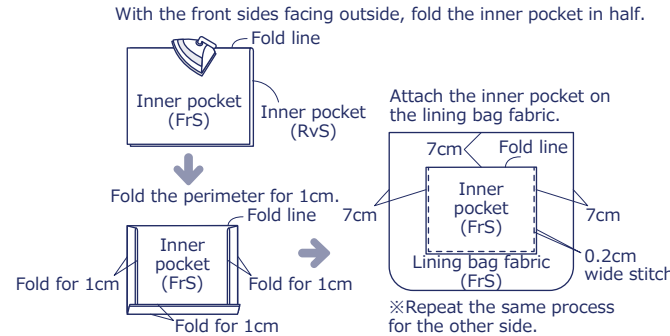
Unit: Centimeters (cm) Add 1cm seam allowance unless otherwise stated.



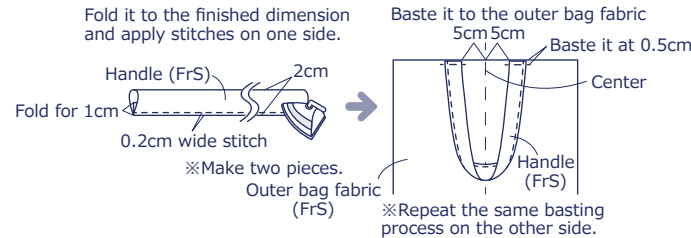
The craft projects and works featured in kokka-fabric.com are strictly for personal use and enjoyment. Please refrain from selling handmade items using the same exact design (including the pieces made in different fabrics) featured in kokka-fabric.com.

Instructions Front Side - (FrS), Reverse Side (RvS)

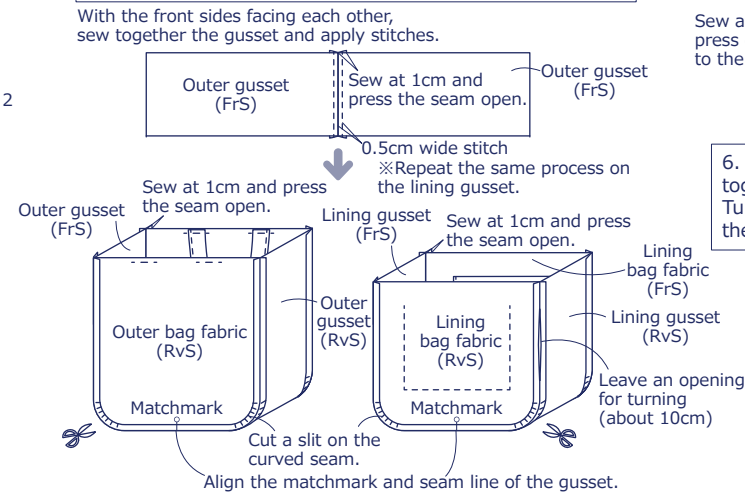
1. Make the inner pocket and attach it to the lining bag fabric



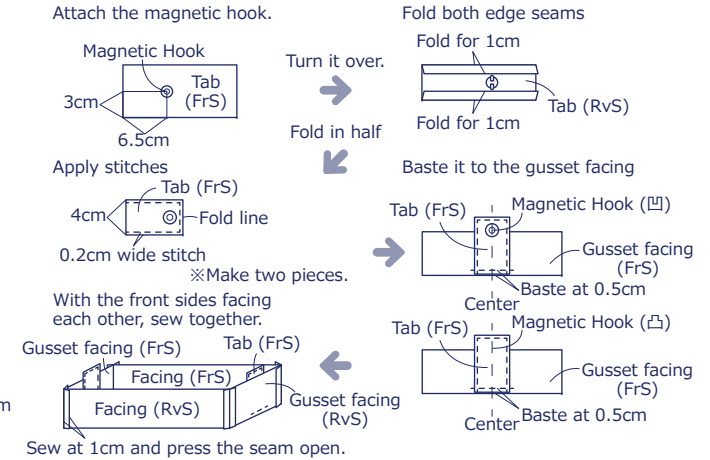
2. Make the handles and baste them on the outer bag fabric



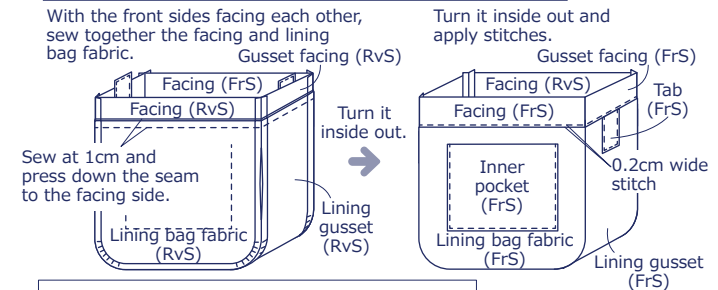
3. Make the gusset. With the front sides facing each other, sew together the bag fabric and gusset



4. Make the tab. Baste it to the gusset facing and sew together the facing and gusset facing



5. With the front sides facing each other, sew together the facing and lining bag fabric. Apply stitches



6. With the front sides facing each other, sew together the bag fabrics at the bag opening. Turn it inside out and apply stitches around the opening to finish.

