



Tote Bag with Gusset

Design & Work: Kokka Fabric

Size: about 32cm (l)
 about 33cm (w)
 about 20cm (d)
 (Excludes handles)

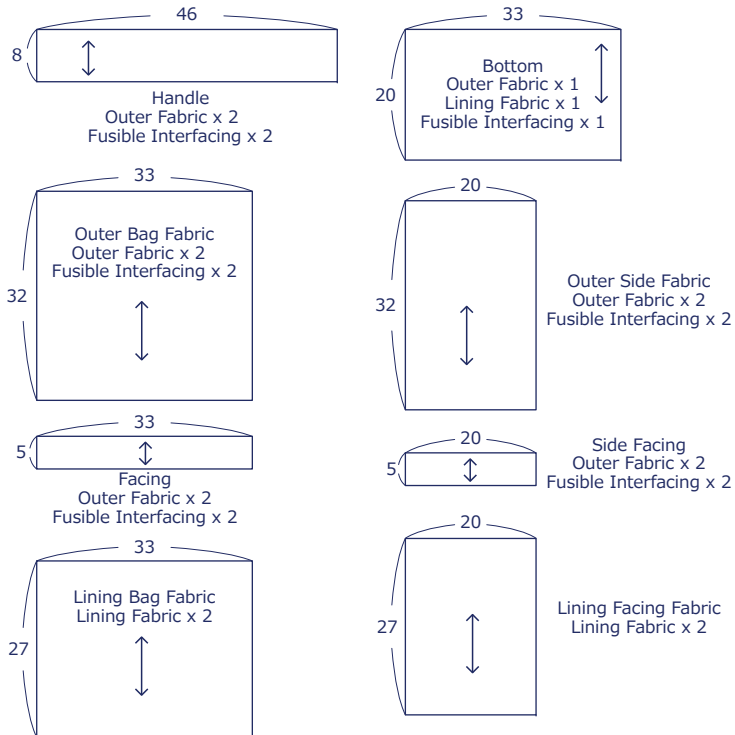
Materials

- Outer Fabric: about 110cm wide x 80cm
- Lining Fabric: about 110cm wide x 70cm
- Fusible Interfacing (heavy weight): about 110cm wide x 80cm
- Magnetic Hook: about 15mm wide x One pair

Fabric shown for this sample: LGA-46040-1C

Pattern

Unit: cm Add 1cm seam allowance with all pieces when cutting the fabric.



※Adhere fusible interfacing on the back of all outer fabrics.

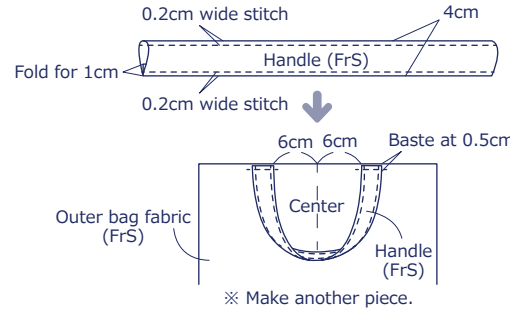
have fun with KOKKA fabric! produced by KOKKA

kokka-fabric.com

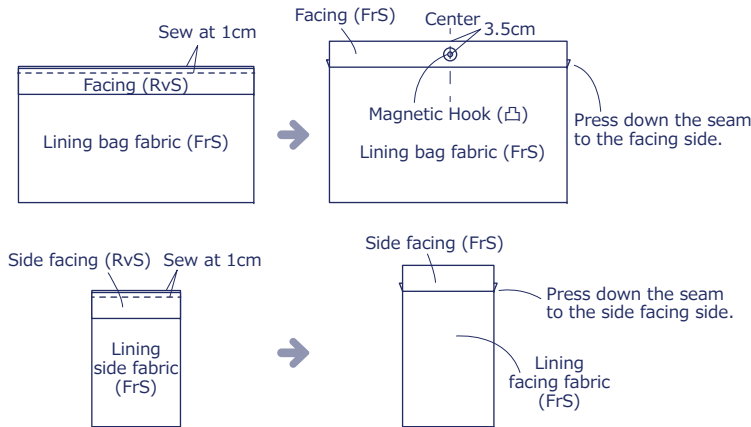
The craft projects and works featured in kokka-fabric.com are strictly for personal use and enjoyment. Please refrain from selling handmade items using the same exact design (including the pieces made in different fabrics) featured in kokka-fabric.com.

Instructions

1. Make the handles. Baste it to the outer bag fabric

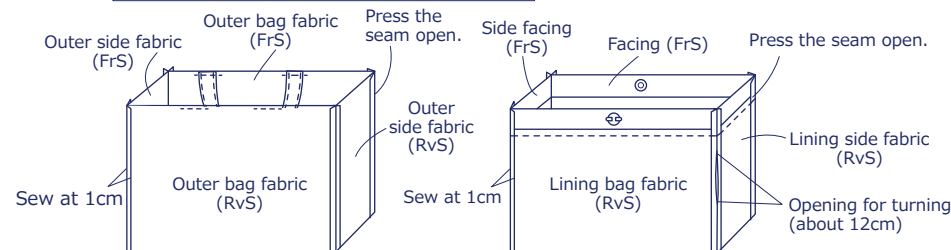


2. With the front sides facing each other, sew together the lining bag fabric and facing. Attach the magnetic hook on the facing

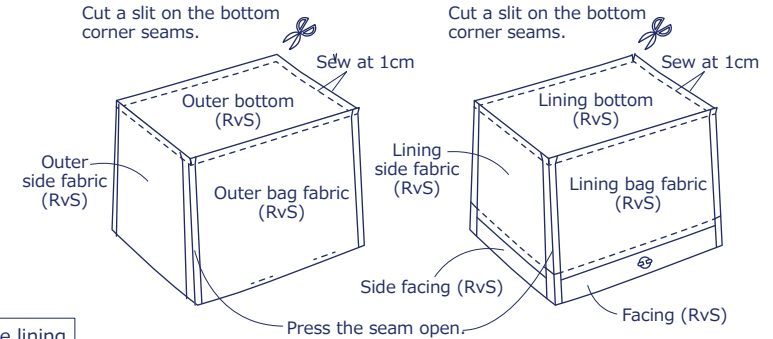


※Make another piece with the same process and attach the magnetic hook (□).

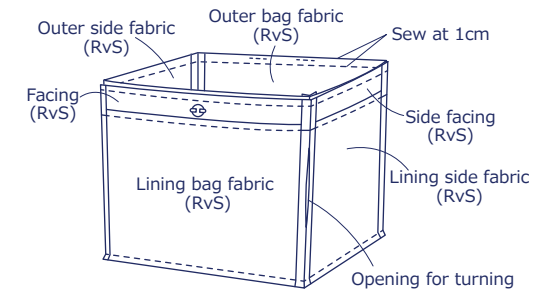
3. With the front sides facing each other, sew together the bag fabric and side pieces



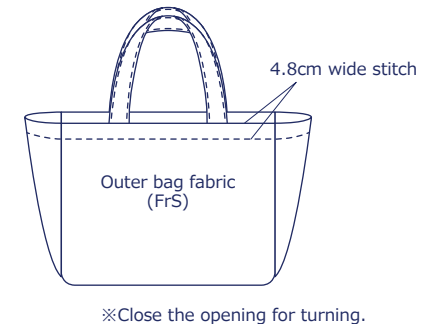
4. With the front sides facing each other, sew together the bag main portion and bottom



5. With the front sides facing each other, sew together the outer fabric and lining fabric at the top opening



6. Turn it inside out and apply stitches at the top opening



※Close the opening for turning.