



Drawstring Bag with Handles

Design & Work: Yui Tamaki

Size: 41cm (l) 40cm (W)

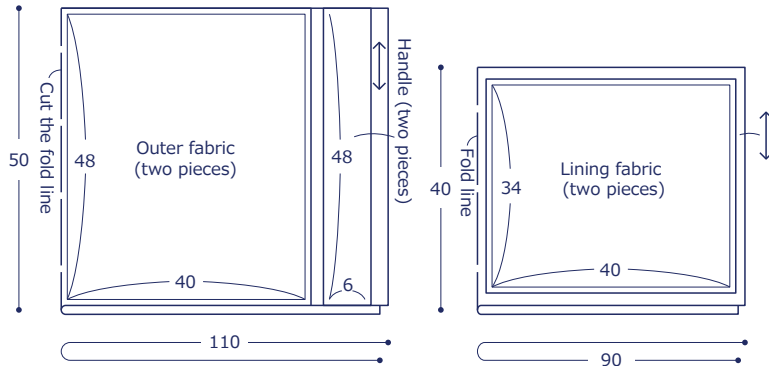
Materials

- Fabric (Outer Fabric, Handle): 110cm wide x 50cm (Lining Fabric): 90cm x 40cm
- Leather Cord: 1.8m (0.5cm diameter)
- Embellishment of your choice

Fabric shown for this sample: (Outer Fabric, Handle) EGX-4007-3 (AAAAAA) JG-95410-10K

Pattern and Cutting Layout

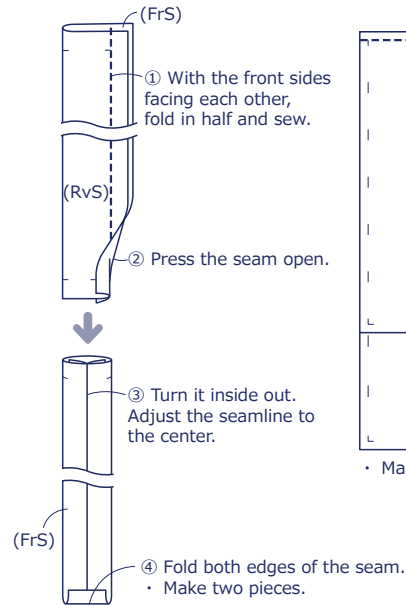
Unit: cm. Seam allowance: 1cm.



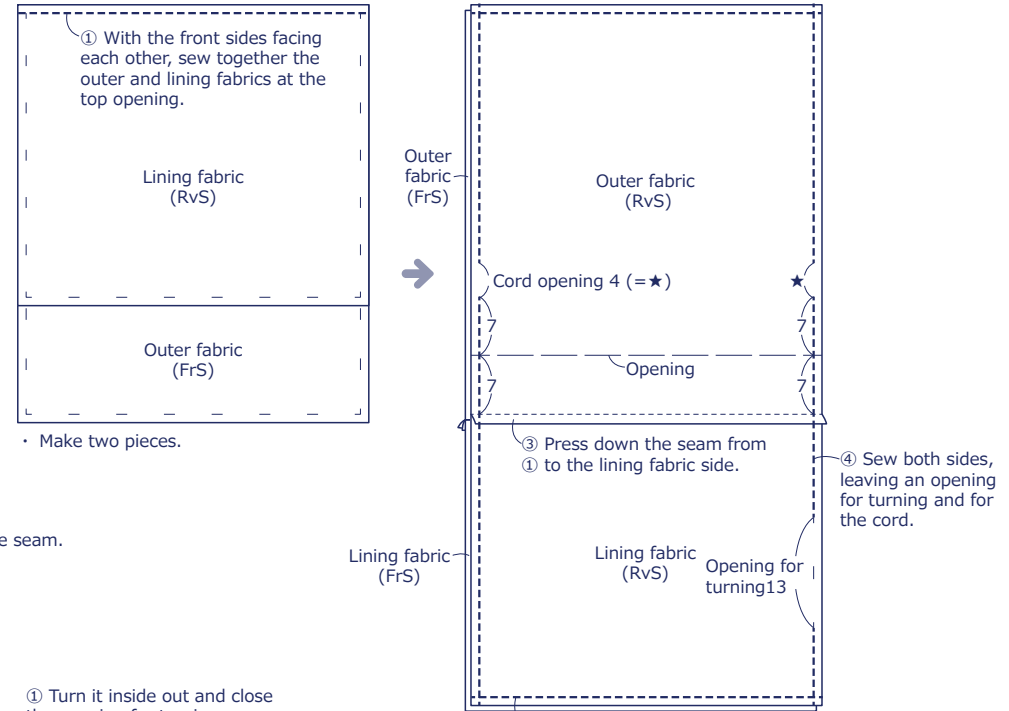
The craft projects and works featured in kokka-fabric.com are strictly for personal use and enjoyment. Please refrain from selling handmade items using the same exact design (including the pieces made in different fabrics) featured in kokka-fabric.com.

Instructions Front Side - (FrS), Reverse Side (RvS)

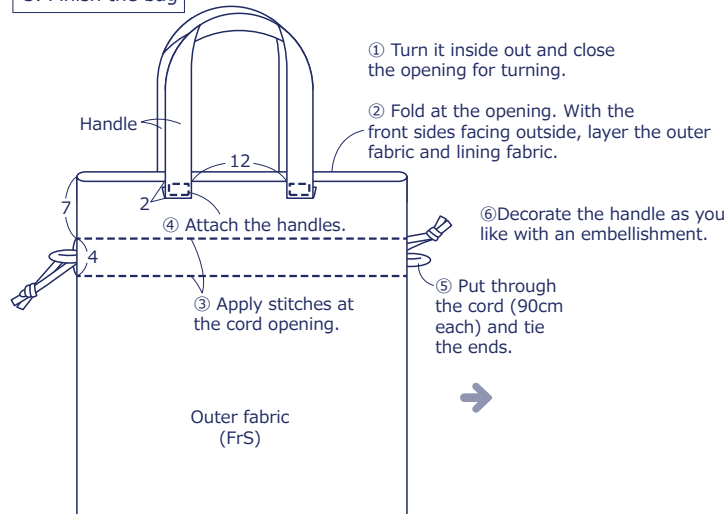
1. Make the handles



2. Make the main portion of the bag



3. Finish the bag



2 With the front sides facing each other, sew the bottom of the outer fabrics and lining fabrics respectively.

