



Fluffy Tuck Bag

Design & work: Mioko Sugino

Size: 20cm (l)
26cm (w-opening side)
20cm (bottom side) 6cm (d)

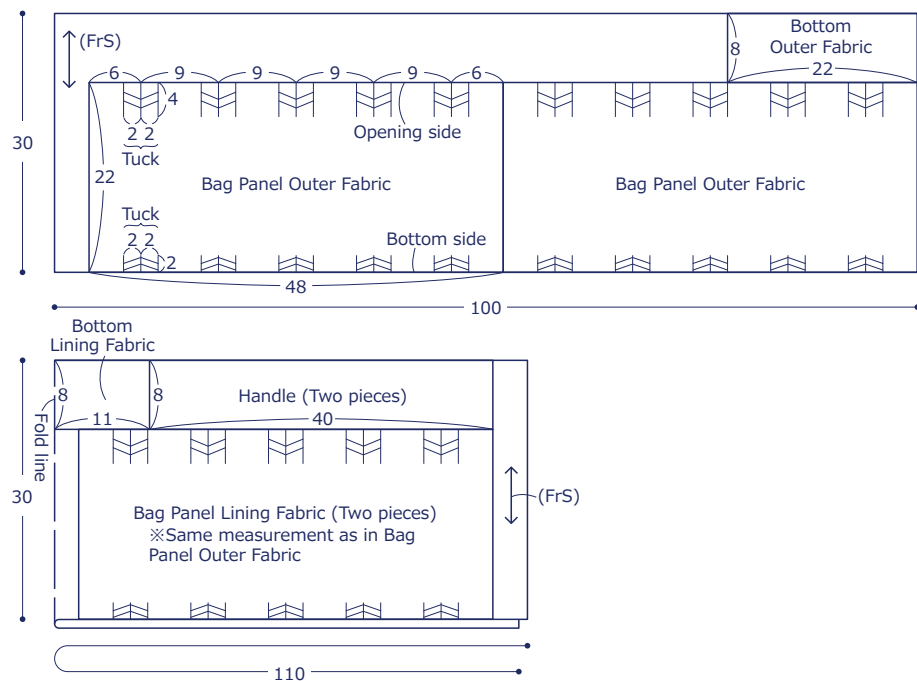
Materials

- Fabric (Outer Fabric): 100cm×30cm
(Lining Fabric, Handle): 110cm×30cm
- Fusible Interfacing: 20cm x 6cm

Fabric shown for this sample: (Outer Fabric) KX-97400-401B
(Lining Fabric, Handle) JG-95410-10K

Pattern and Cutting Layout

Unit: cm. All raw edge.



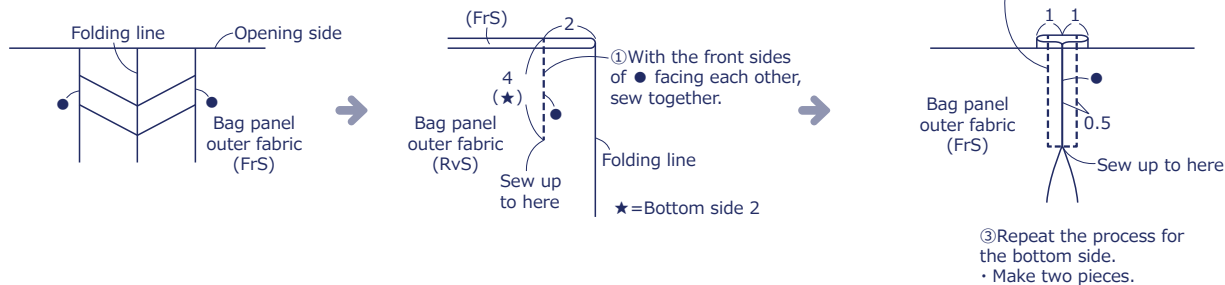
have fun with KOKKA fabric! produced by KOKKA

kokka-fabric.com

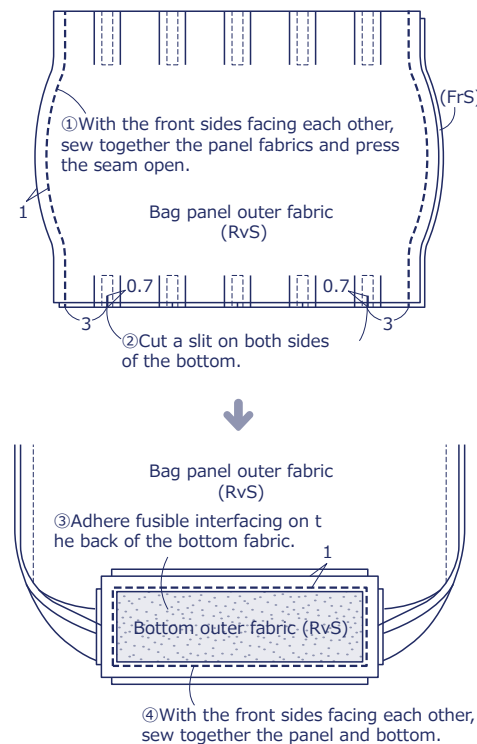
The craft projects and works featured in kokka-fabric.com are strictly for personal use and enjoyment. Please refrain from selling handmade items using the same exact design (including the pieces made in different fabrics) featured in kokka-fabric.com.

Instructions

1. Make the tucks



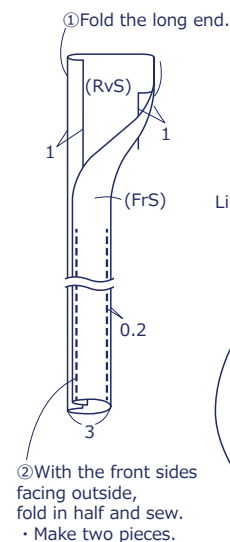
2. Make the outer bag



3. Make the lining bag

Repeat the same process as in ①, ②①②④ using the lining fabric.

4. Make the handles



5. Finish the bag

Fold the top opening of the outer and lining bags for 1cm to the reverse side. Place the bags together with the front sides facing outside. Place the handle in-between and sew.

