



Apron For Adults

Design & Work: Kokka Fabric

Size: Free (total length 98cm)

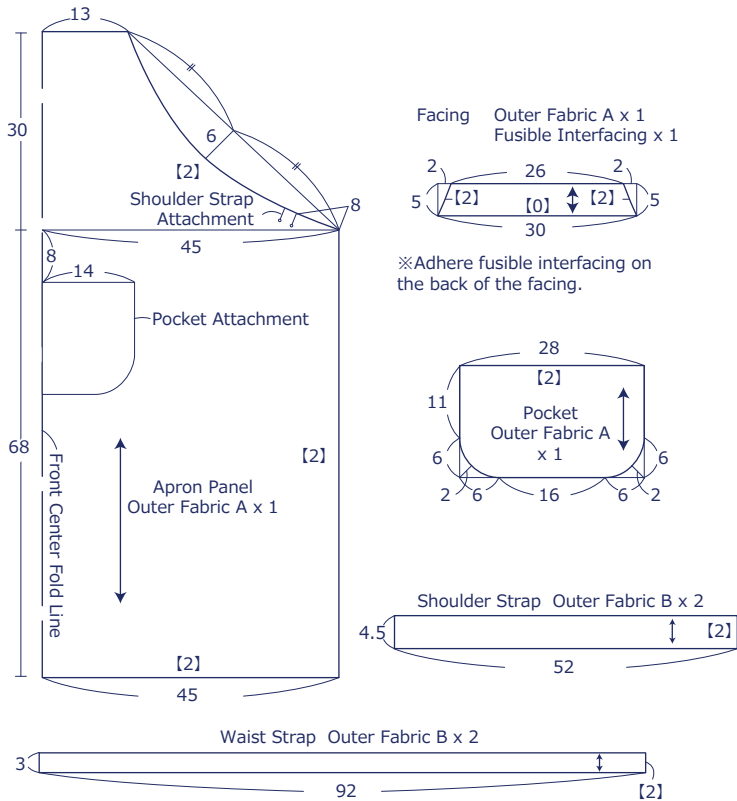
Materials

- Outer Fabric A: about 110cm wide x 120cm
- Outer Fabric B: about 110cm wide x 30cm
- Fusible Interfacing (light weight): about 90cm wide x 10cm

Fabric shown for this sample: EKX-97400-401C

Pattern and Cutting Layout

Unit: cm. [] denotes seam allowance.
Add 1cm seam when cutting the fabric unless specified otherwise.



have fun with KOKKA fabric! produced by KOKKA

kokka-fabric.com

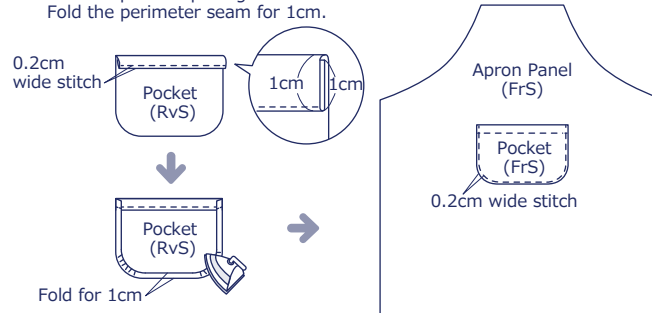
The craft projects and works featured in kokka-fabric.com are strictly for personal use and enjoyment. Please refrain from selling handmade items using the same exact design (including the pieces made in different fabrics) featured in kokka-fabric.com.

Instructions

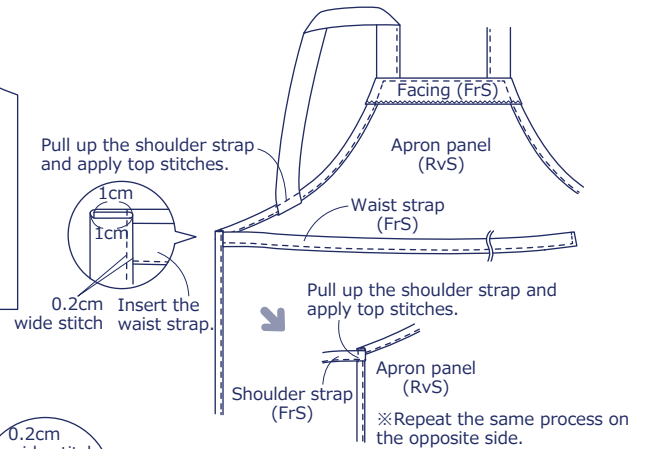
Front Side - (FrS), Reverse Side - (RvS)

1. Make the pocket and attach it to the apron panel

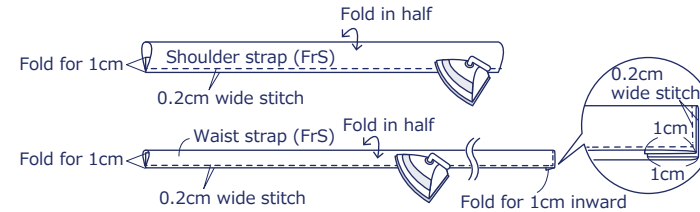
Fold the pocket opening in three and sew.
Fold the perimeter seam for 1cm.



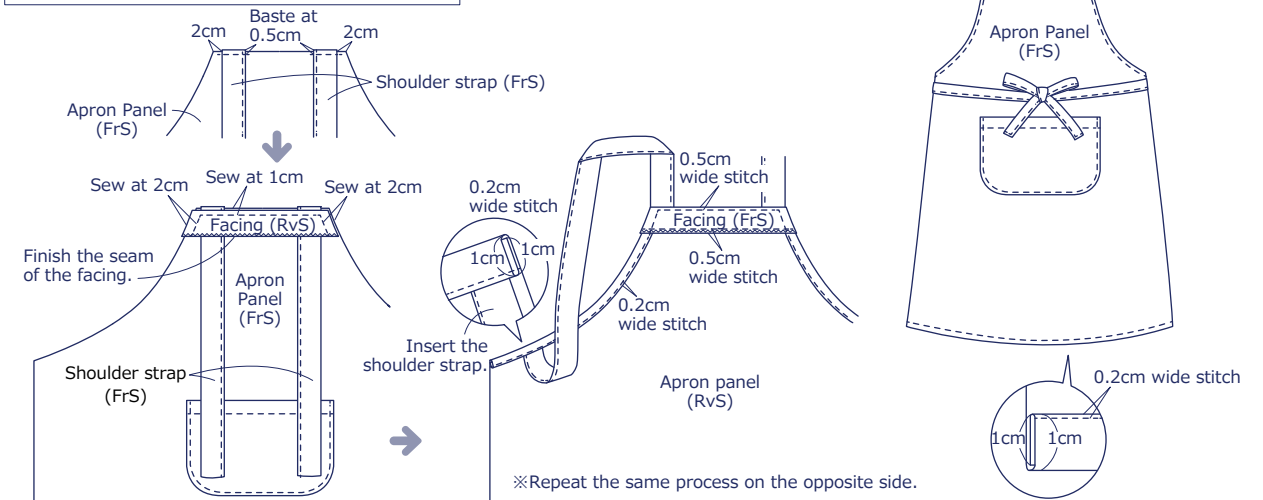
4. Fold the side of the apron panel in three and sew



2. Make the shoulder and waist straps



3. Baste the shoulder strap to the apron panel. Sew together the facing and apron panel



5. Fold the hem in three and sew to finish

