



Tote Bag

Design & work: Yuki Inomata

Size: 31cm (l) 51cm (w - opening)
35cm (bottom) 16cm (d)

have fun with KOKKA fabric! produced by KOKKA

kokka-fabric.com

The craft projects and works featured in kokka-fabric.com are strictly for personal use and enjoyment. Please refrain from selling handmade items using the same exact design (including the pieces made in different fabrics) featured in kokka-fabric.com.

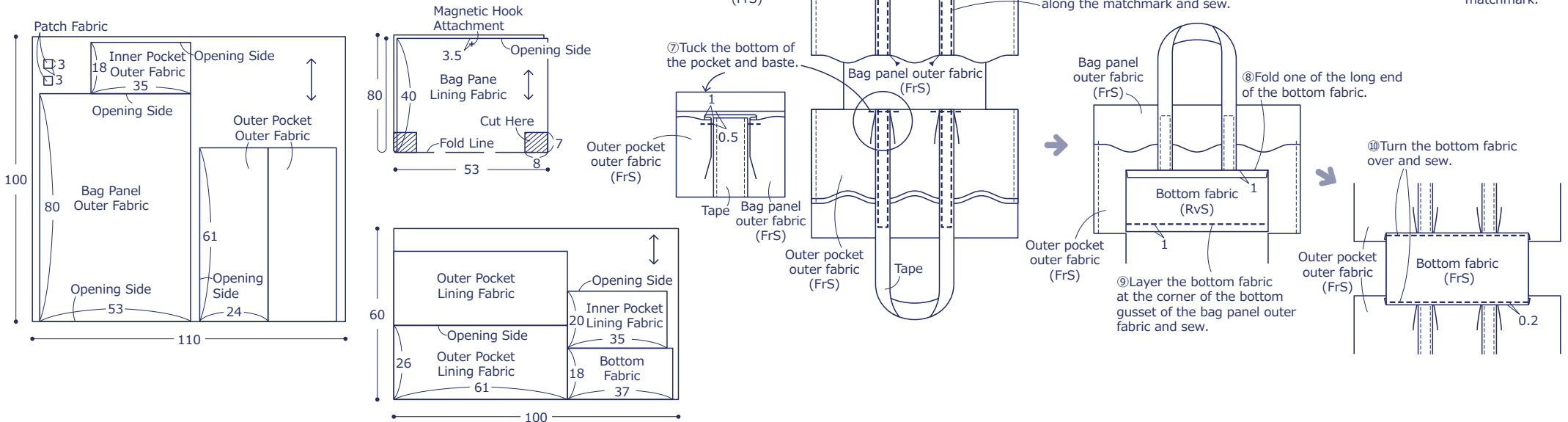
Materials

- Fabric (Outer Fabric, Patch Fabric): 110cm wide×1m
(Panel Lining Fabric): 53cm×80cm
(Pocket Lining Fabric, Bottom Fabric): 100cm×60cm
- Fusible Interfacing: 90cm x 1.1m
- Tape: 4.5cm wide×2.5m
- Magnetic Hook (Insert type): One pair (1.8cm diameter)

Fabric shown for this sample: (Outer Fabric, Patch Fabric) EKX-97400-400D
(Panel Lining Fabric) JG-95410-10K
(Pocket Lining Fabric, Bottom Fabric) JG-95410-100

Pattern and Cutting Layout

Unit: cm. All raw edge. Adhere fusible interfacing on the back of the bag panel outer fabric, outer pocket outer fabric and bottom fabric.

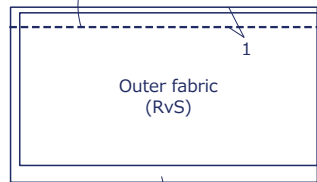


The craft projects and works featured in kokka-fabric.com are strictly for personal use and enjoyment. Please refrain from selling handmade items using the same exact design (including the pieces made in different fabrics) featured in kokka-fabric.com.

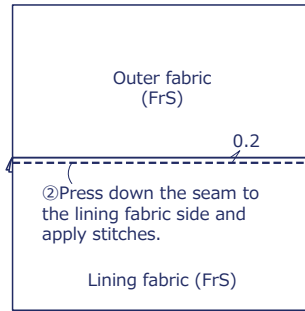
Front Side - (FrS), Reverse Side (RvS)

3. Make the inner pocket

① With the front sides facing each other, sew together the outer fabric and lining fabric at the opening side.

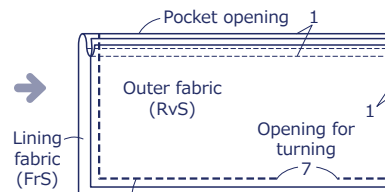


Lining fabric (FrS)



② Press down the seam to the lining fabric side and apply stitches.

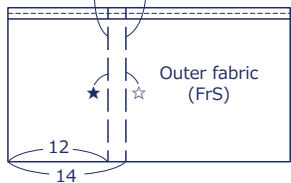
Lining fabric (FrS)



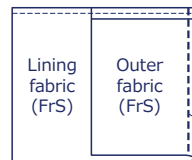
Lining fabric (FrS)

③ With the front sides facing each other, fold in half. Sew both sides and bottom, leaving an opening for turning.

④ Turn it over and mark the fabric.

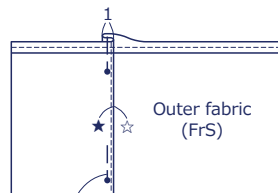


Outer fabric (FrS)



⑤ Fold and sew.

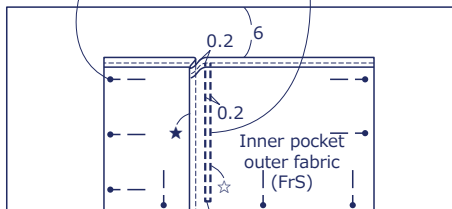
Outer fabric (FrS)



⑥ Align the fabrics at the matchmarks and pin them together.

⑦ Layer the piece from ⑥ over the panel lining fabric and pin them together.

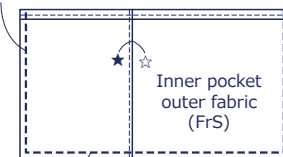
⑧ Pull off the pins from ⑥ and sew partition line, avoiding the tuck.



Align the center of the panel fabric and pocket.

Bag panel lining fabric (FrS)

⑨ Return the tuck and sew both sides and bottom.

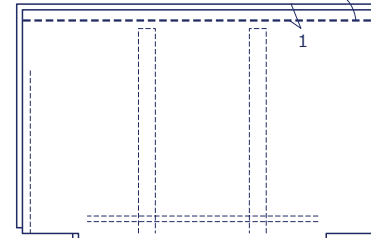


Apply backstitches where the fabrics overlap.

Bag panel lining fabric (FrS)

4. Finish the main panel and complete the bag

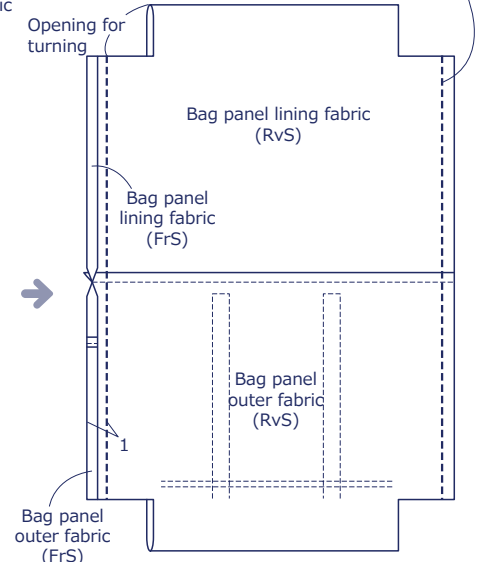
① With the front sides facing each other, sew together the outer fabric and lining fabric at the opening side. (Avoid the tape.)



Bag panel lining fabric (FrS)

Bag panel outer fabric (RvS)

② Move the opening side to the center. With the front sides facing each other, sew together the outer and lining fabrics at both sides respectively.



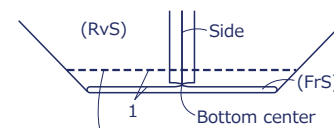
Bag panel lining fabric (RvS)

Bag panel lining fabric (FrS)

Bag panel outer fabric (RvS)

Bag panel outer fabric (FrS)

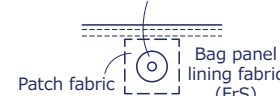
④ Turn it over. With the front sides facing outside, layer the outer and lining fabrics and apply stitches at the opening.



③ Sew the gusset, excluding the opening for turning.

Repeat the process for three other gussets.

⑤ Place the patch fabric over the lining side of the bag panel lining fabric and attach a magnetic hook.



⑥ Close the opening for turning.

0.3 (Avoid the tape)

(Sew over the tape)

Bag panel outer fabric (FrS)

Bag panel lining fabric (FrS)

