



Bag-In-Bag Organizer

Design & work: Satomi Takei

Size: 15.5cm (l) 21cm (w) 7cm (d)

have fun with KOKKA fabric! produced by KOKKA

kokka-fabric.com

The craft projects and works featured in kokka-fabric.com are strictly for personal use and enjoyment. Please refrain from selling handmade items using the same exact design (including the pieces made in different fabrics) featured in kokka-fabric.com.

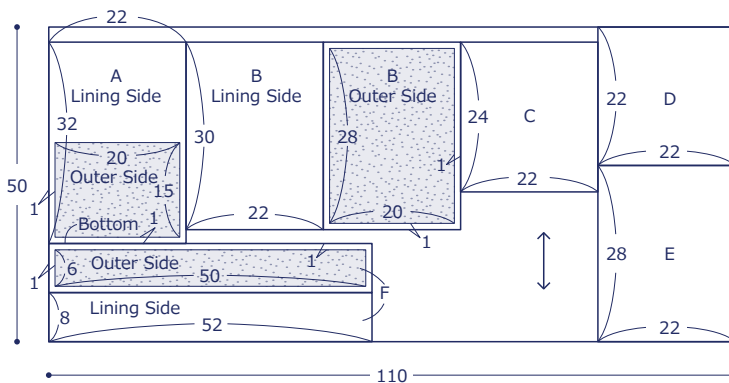
Materials

- Fabric: 110cm wide x 50cm
- Fusible Interfacing: 70cm x 30cm
- Double Fold Bias Binding Tape: 1.5cm wide x 155cm
- Tag of your choice: One piece (see photo)

Fabric shown for this sample: EKXA-5700-1B

Pattern and Cutting Layout

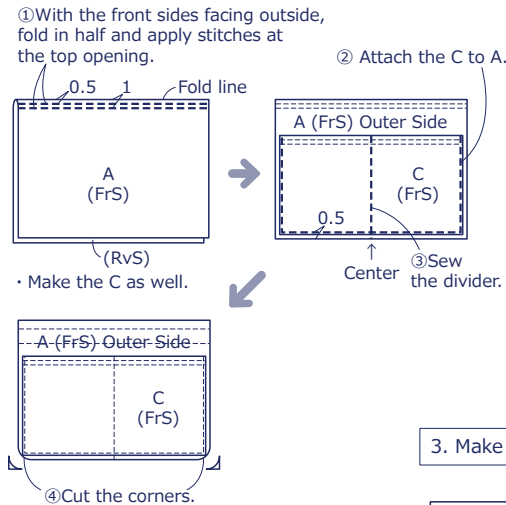
Unit: cm All raw edge. Adhere fusible interfacing on the back of



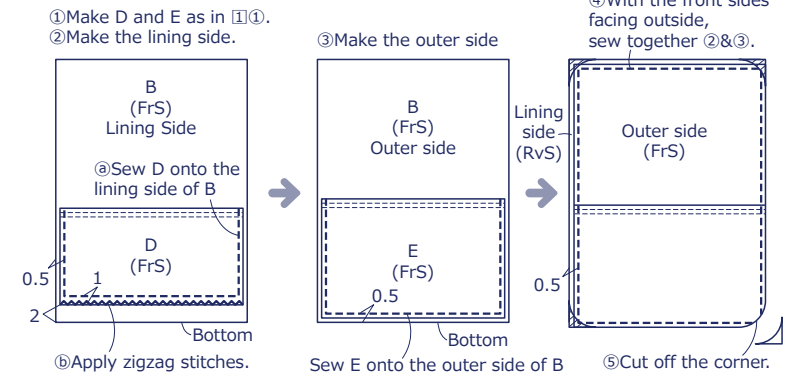
Instructions

Front Side - (FrS), Reverse Side (RvS)

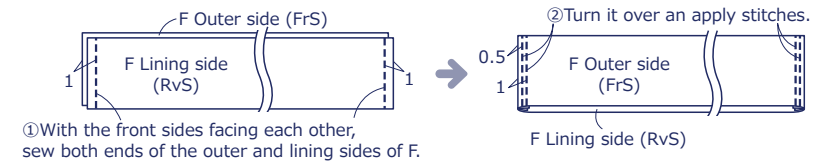
1. Make the front panel



2. Make the back panel



3. Make the gusset



4. Finis

