



One Handle Bag

Design & Work: Kokka Fabric

Size: about 22cm (l) x about 30cm (w) x about 8cm (d)

have fun with KOKKA fabric! produced by KOKKA

kokka-fabric.com

The craft projects and works featured in kokka-fabric.com are strictly for personal use and enjoyment. Please refrain from selling handmade items using the same exact design (including the pieces made in different fabrics) featured in kokka-fabric.com.

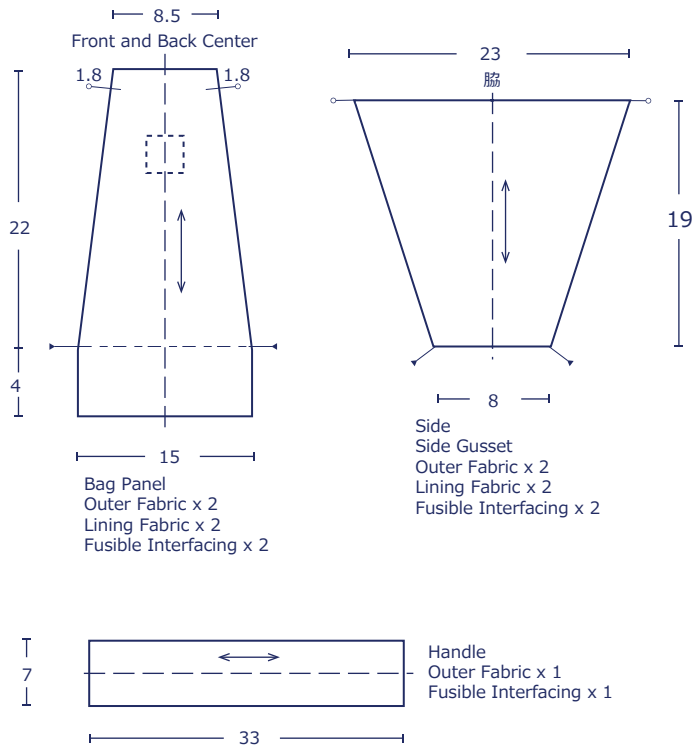
Materials

- Outer Fabric: 110cm wide x 40cm
- Lining Fabric: 110cm wide x 40cm
- Fusible Interfacing (heavy weight): about 122cm x 40cm

Fabric shown for this sample: EKXA-5600-2A

Pattern

Unit: cm Add 1cm seam when cutting the fabric.

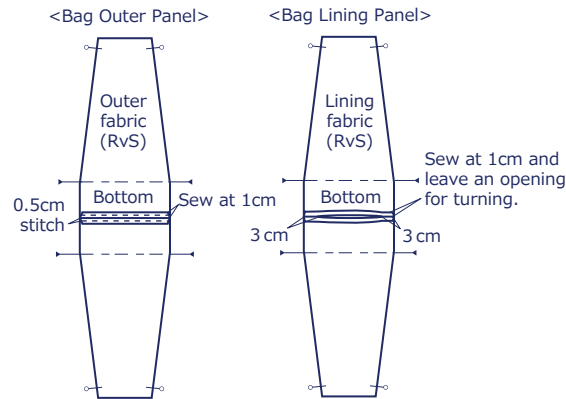


Instructions

Front Side - (FrS), Reverse Side (RvS)

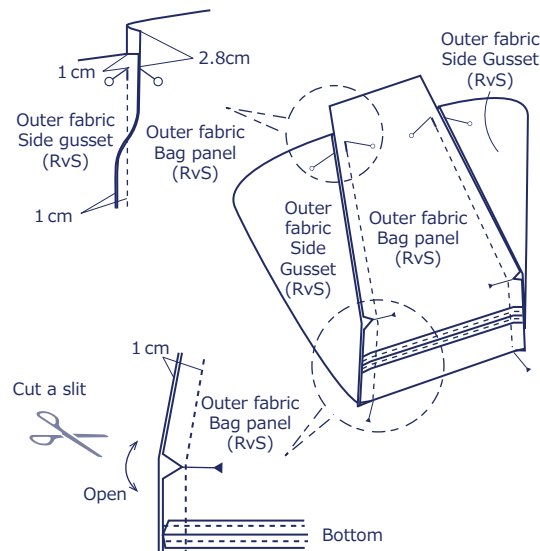
1. Adhere fusible interfacing on the back of all pieces

2. Piece together the bottom of bag panels and lining pieces respectively

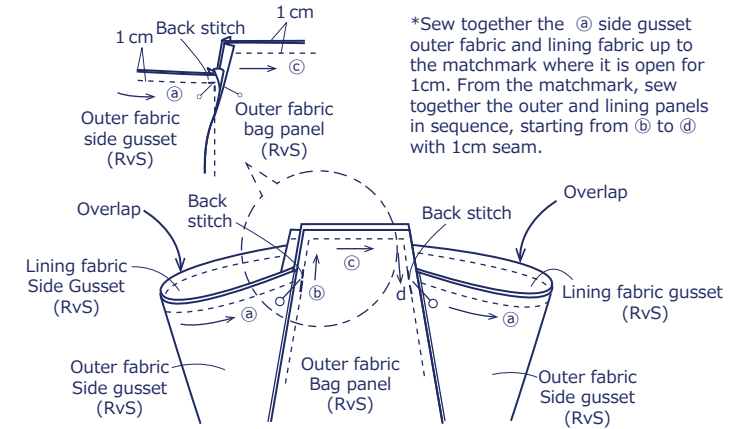


3. Sew together the bag panel and side gusset

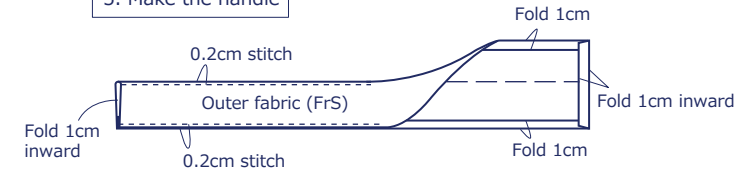
* Piece together the lining fabrics as well.



4. With the front sides facing each other, layer the outer fabric and lining fabric and sew together at the top opening



5. Make the handle



6. Turn the bag inside out using the opening on the lining fabric. Iron to align the shape. Apply stitches on the top opening and attach a handle

