



Fluffy Mini Bag

Design & Work: Yui Tamaki

Size: 24cm (l) 26cm (w - opening side)
30cm (w - maximum)

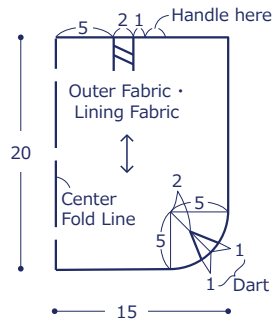
Materials

- Fabric (Outer Fabric, Lining Fabric): 80cm×55cm (Opening Fabric): 30cm×25cm
- Fusible Quilt Batting: 80cm×30cm
- Artificial Leather Handle: 65cm length x One pair
- Double-Cap Rivets: Large (0.9cm diameter) x Eight pairs

Fabric shown for this sample: (Outer Fabric · Lining Fabric) mofusand EKX-1200-3B

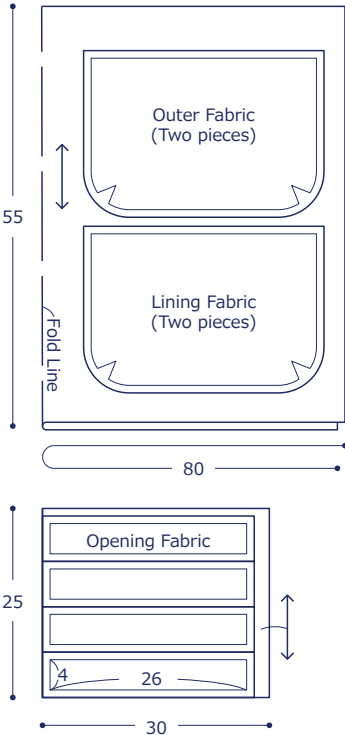
Pattern

Unit: cm



Cutting Layout

Seam Allowance: 1cm
Adhere fusible quilt batting on the back of the outer fabric.



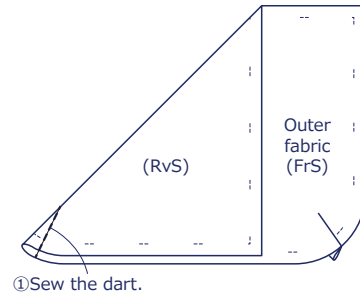
have fun with KOKKA fabric! produced by KOKKA

kokka-fabric.com

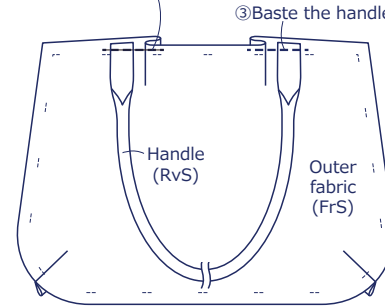
The craft projects and works featured in kokka-fabric.com are strictly for personal use and enjoyment. Please refrain from selling handmade items using the same exact design (including the pieces made in different fabrics) featured in kokka-fabric.com.

Instructions Front Side - (FrS), Reverse Side (RvS)

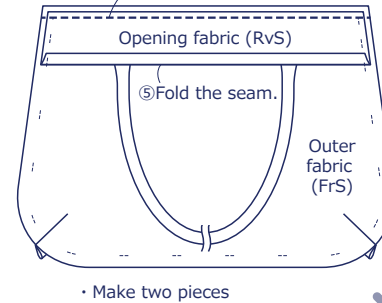
1. Make the outer bag



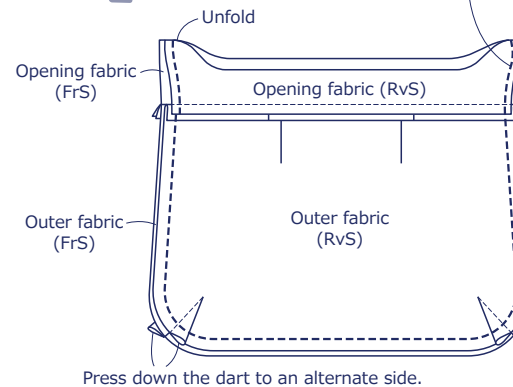
② Fold the tuck and baste.



④ With the front sides facing each other, attach the opening fabric.



⑥ With the front sides facing each other, sew together two pieces from ⑤. (Be careful not to sew the handle together.)

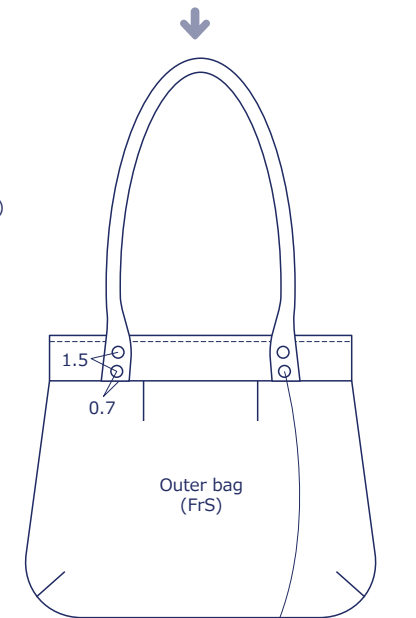
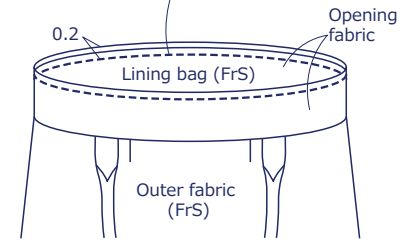


2. Make the lining bag

Repeat the process ① ② ④ ~ ⑥ using the lining fabric.

3. Finish the bag

① Fold again the seam of the opening side of the opening fabric. With the front sides facing outside, sew together the outer and lining bags.



② Pull up the handle and secure with the double-cap rivets.
• Attach the rivets in eight places.