



Round Tote Bag (Large)

Design & work: Kokka Fabric

Size: about 35cm (l)
about 35cm (w)
about 14cm (d)
(excludes handles)

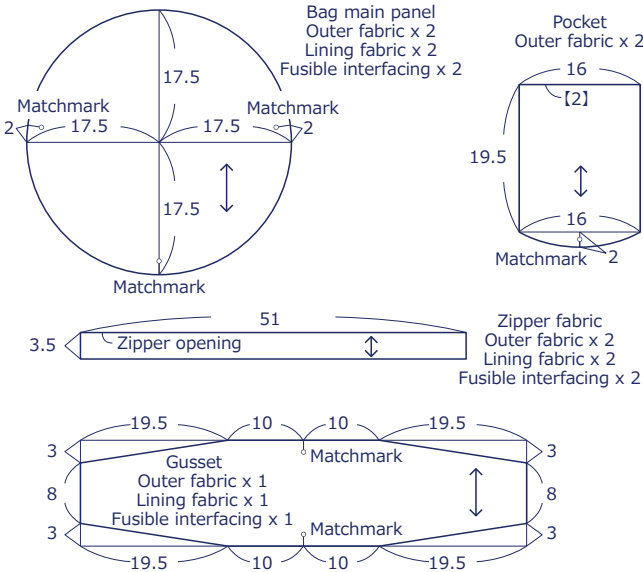
Materials

- Outer fabric about 110cm wide x 70cm
- Lining fabric about 110cm wide x 70cm
- Fusible interfacing (heavy weight) about 110cm wide x 70cm
- Zipper One piece (50cm)
- 4.5cm wide tape x 210cm
- Rivet x Eight pairs

Fabric shown for this sample: YGA-51020-1B

Pattern and Cutting Layout

Unit: Centimeters (cm) []: Seam Allowance.
When cutting the fabric, add 1cm seam allowance unless specified otherwise.

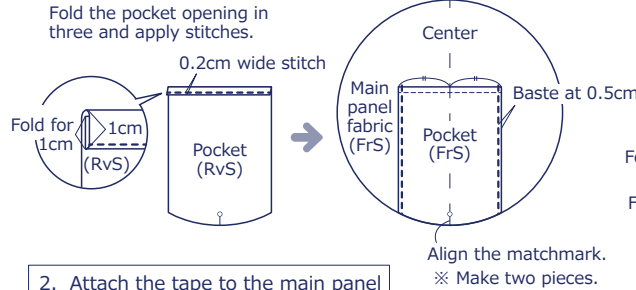


※ Adhere fusible interfacing on the back of the main panel, zipper outer fabric, gusset outer fabric.

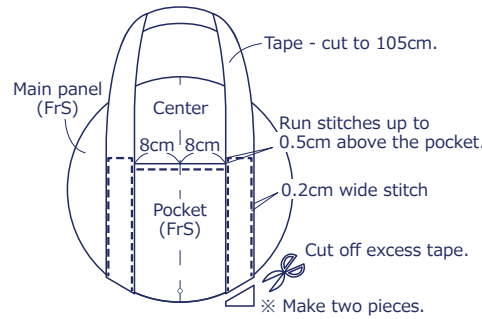
The craft projects and works featured in kokka-fabric.com are strictly for personal use and enjoyment. Please refrain from selling handmade items using the same exact design (including the pieces made in different fabrics) featured in kokka-fabric.com.

Instructions FrS - (FrS), RvS (RvS)

1. Make the pocket. Baste it to the main panel fabric

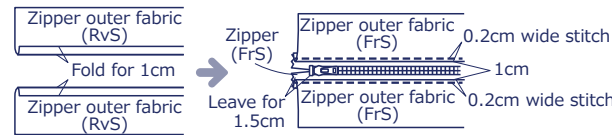


2. Attach the tape to the main panel



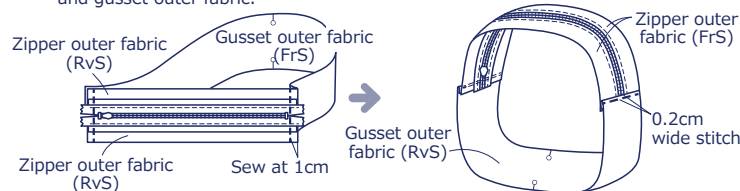
3. Attach the zipper to zipper outer fabric

Fold the seam of the opening side of the zipper outer fabric. Layer it with zipper and apply stitches.

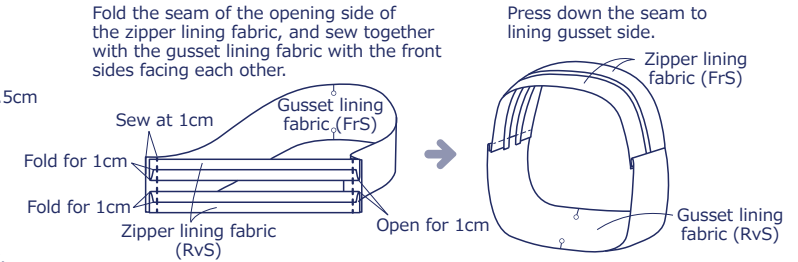


4. Sew together the zipper outer fabric and gusset outer fabric

With the front sides facing each other, sew together the zipper outer fabric and gusset outer fabric. Press down the seam to outer gusset side and apply stitches.

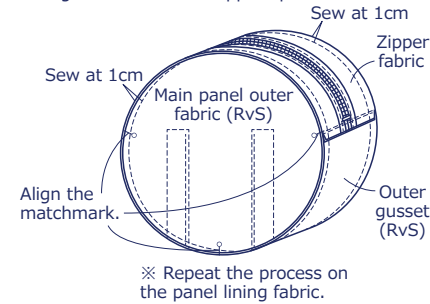


5. Sew together the zipper lining fabric and gusset lining fabric



6. Sew together the main panel and gusset

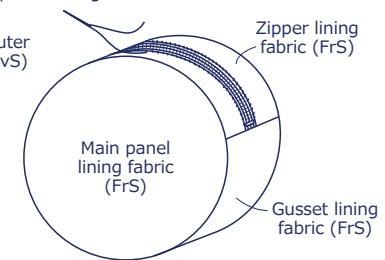
With the front sides facing each other, sew together the main panel fabric and gusset. Leave the zipper open.



※ Repeat the process on the panel lining fabric.

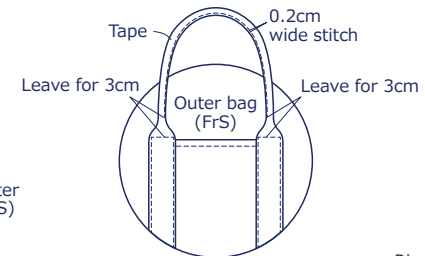
7. Attach the panel lining piece to the zipper fabric

With the front sides facing outside, sew together the outer and lining panel pieces using blind stitches. Turn it inside out.



8. Fold the tape in half and apply stitches

Fold the tape in half and apply stitches.



9. Put the rivets to finish

