



Drawstring Tote Bag

Design & work: Yuki Inomata

Size: 58cm (Diameter - when opened)

have fun with KOKKA fabric! produced by KOKKA

kokka-fabric.com

The craft projects and works featured in kokka-fabric.com are strictly for personal use and enjoyment. Please refrain from selling handmade items using the same exact design (including the pieces made in different fabrics) featured in kokka-fabric.com.

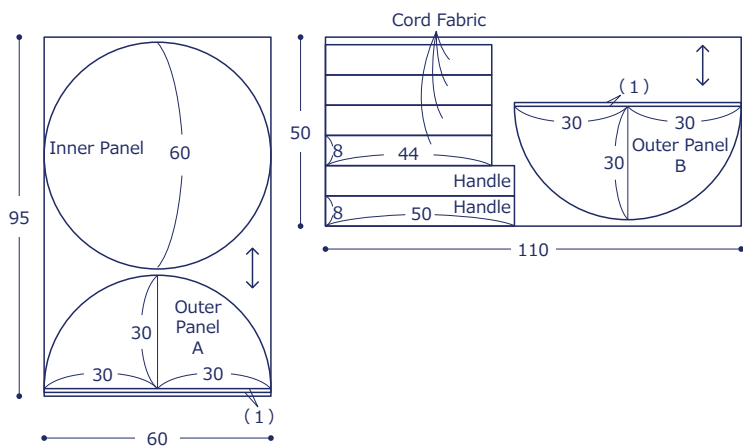
Materials

- Fabric (Outer Panel A, Inner Panel): 60cm×95cm
(Outer Panel B, Cord Fabric, Handle): 110cm×50cm
- Cord: 0.3cm diameter x 4m

Fabric shown for this sample (Outer Panel A, Inner Panel) : echino EKX-90300-300A

Pattern and Cutting Layout

Unit: cm Numbers in () denote seam allowance.
All raw edge unless stated otherwise.



Instructions Front Side - (FrS), Reverse Side (RvS)

1. Make the handle

With the front sides facing outside, fold in four and sew.
• Make two pieces.



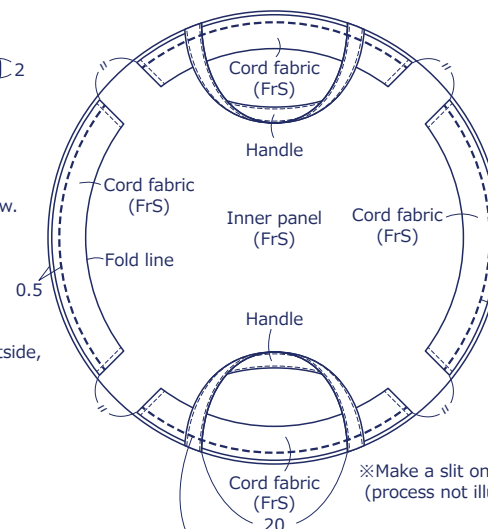
2. Make the cord fabric

① Fold both ends in three and sew.



② With the front sides facing outside, fold in half and cut a slit.
• Make four pieces.

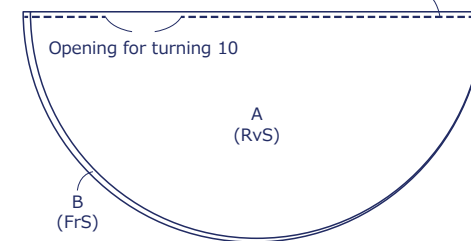
3. Make the inner panel



② Baste the handle.

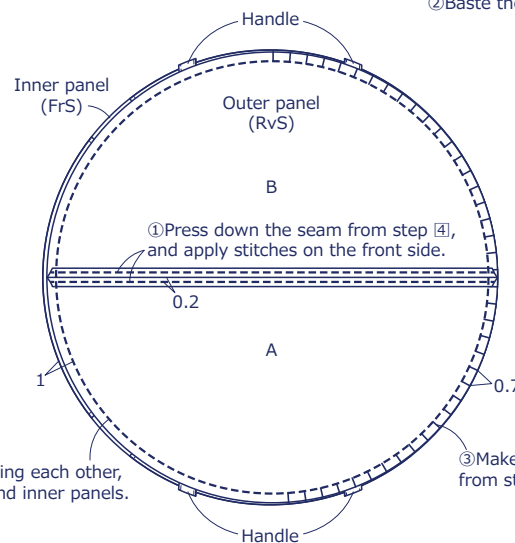
4. Make the outer panel

With the front sides facing each other, sew together the panel A and B, leaving an opening for turning.



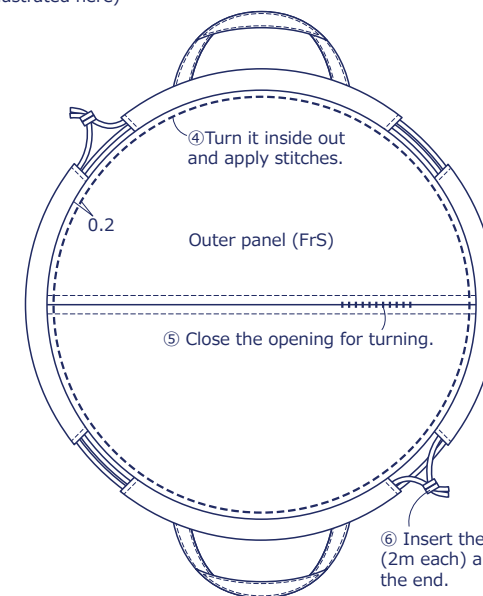
① With the front sides facing outside, fold the cord fabric in half and baste.

5. Finish the bag



② With the front sides facing each other, sew together the outer and inner panels.

③ Make a slit on the seam from step ②.



⑥ Insert the cord (2m each) and tie the end.