



Case For Tablet

Design & work: Kokka Fabric

Size: about 28cm (l)
about 21cm (w)
about 1cm (d)

have fun with KOKKA fabric! produced by KOKKA

kokka-fabric.com

The craft projects and works featured in kokka-fabric.com are strictly for personal use and enjoyment. Please refrain from selling handmade items using the same exact design (including the pieces made in different fabrics) featured in kokka-fabric.com.

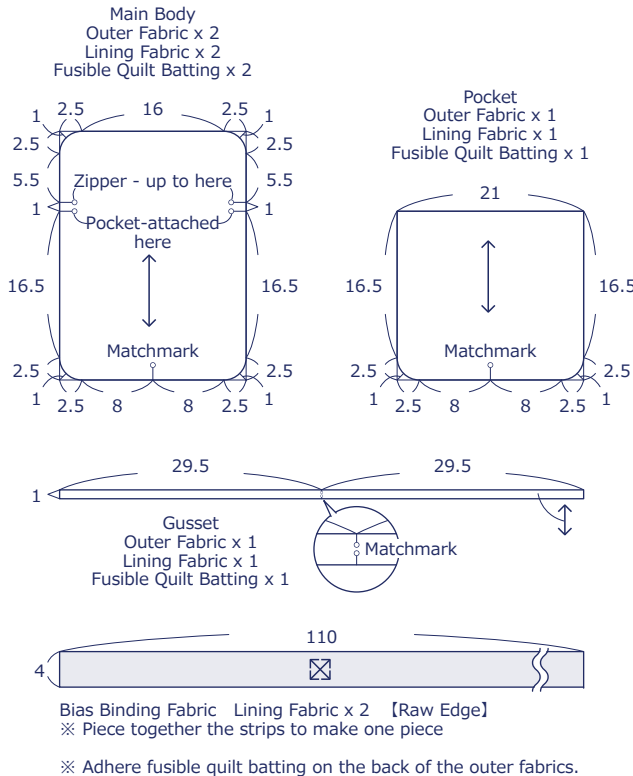
Materials

- Outer Fabric: about 110cm wide x 40cm
- Lining Fabric: about 110cm wide x 60cm
- Fusible Quilt Batting: about 90cm wide x 40cm
- Zipper: about 25mm wide x 40 cm long - One Piece

Fabric shown for this sample: YKA-91040-1B, 1C

Pattern and Cutting Layout

Unit: cm [] : Seam Allowance
Add 1cm seam when cutting the fabric unless otherwise specified.



Instructions Front Side - (FrS), Reverse Side (RvS)

