



Drawstring Shoulder Bag

Design & work: Mioko Sugino

Size: 25cm (l)
 25cm (w – at opening) 19cm (bottom)
 6cm (gusset)

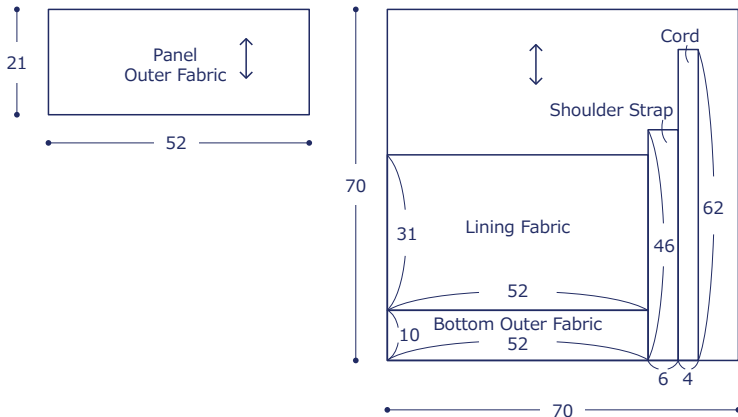
Materials

□ Fabric (Bag Panel Outer Fabric): 52cm x 21cm
 (Bottom Outer Fabric, Shoulder Strap, Cord, Lining Fabric): 70cm x 70cm

Fabric shown for this sample: (Bag Panel Outer Fabric) EWX-4020-1B

Pattern and Cutting Layout

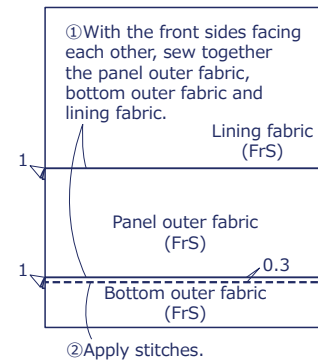
Unit: cm All raw edge.



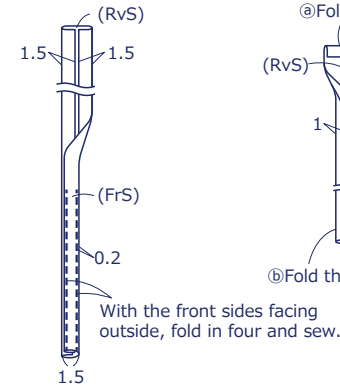
The craft projects and works featured in kokka-fabric.com are strictly for personal use and enjoyment. Please refrain from selling handmade items using the same exact design (including the pieces made in different fabrics) featured in kokka-fabric.com.

Instructions Front Side - (FrS), Reverse Side (RvS)

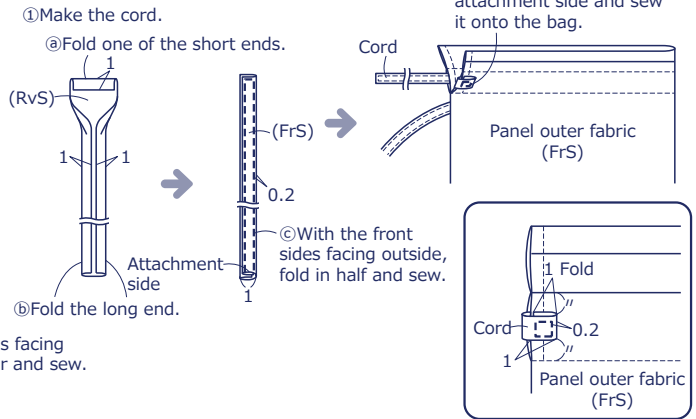
1. Piece together each parts



2. Make a shoulder strap



4. Make the cord and finish



3. Make the bag bod

