



Coin Sliding Mini Wallet

Design & work: Yui Tamaki

Size: 15.8cm (l) 12cm (w)

Material

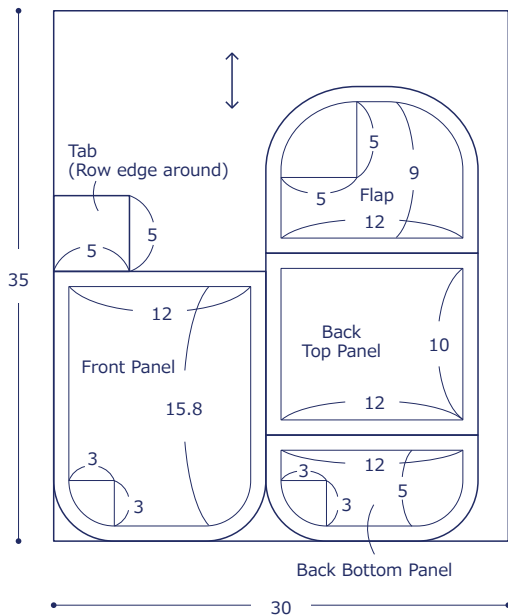
- Fabric (Outer Fabric): 30cm × 35cm
(Lining Fabric(Cotton Linen Canvas)): 30cm × 35cm
- Quilt Batting: 30cm × 35cm
- Coil Zipper: One piece (14cm long)
- Plasnap Snap Button: One pair (1cm diameter)
- Key Ring: One piece (3cm diameter)

Fabric shown for this sample: (Outer Fabric) EGXA-6415-1A

Pattern and Cutting Layout

Unit: cm Add 1cm seam allowance unless specified otherwise.

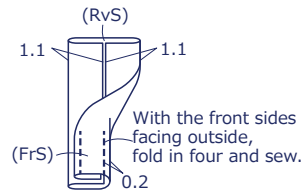
Outer Fabric ※Cut the lining fabric in the same manner (No Tab)



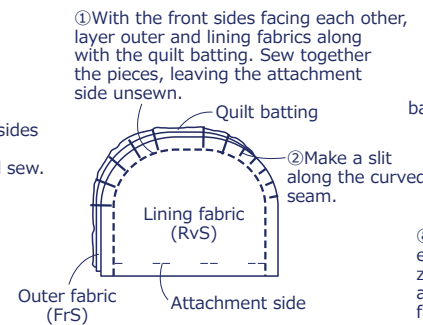
The craft projects and works featured in kokka-fabric.com are strictly for personal use and enjoyment. Please refrain from selling handmade items using the same exact design (including the pieces made in different fabrics) featured in kokka-fabric.com.

Instructions Front Side - (FrS), Reverse Side - (RvS)

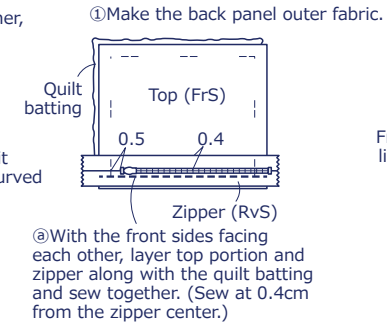
1. Make the tab



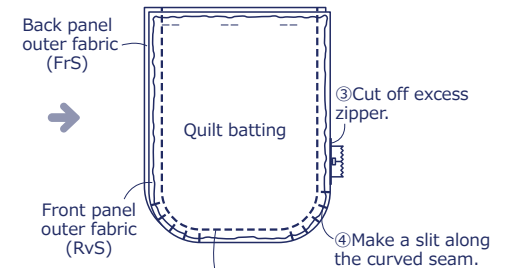
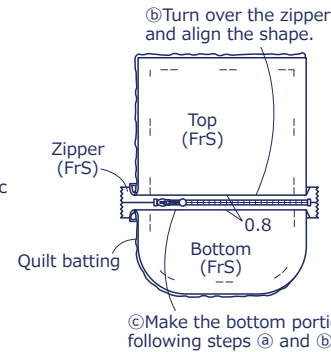
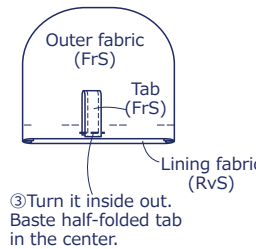
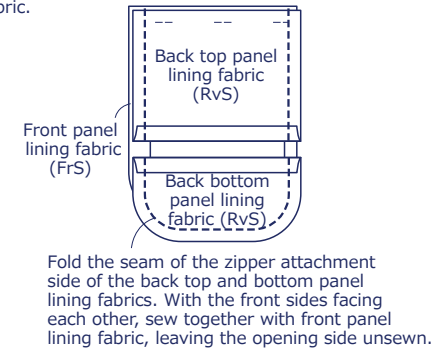
2. Make the flap



3. Make the outer bag



4. Make the lining bag



5. Finish the wallet

